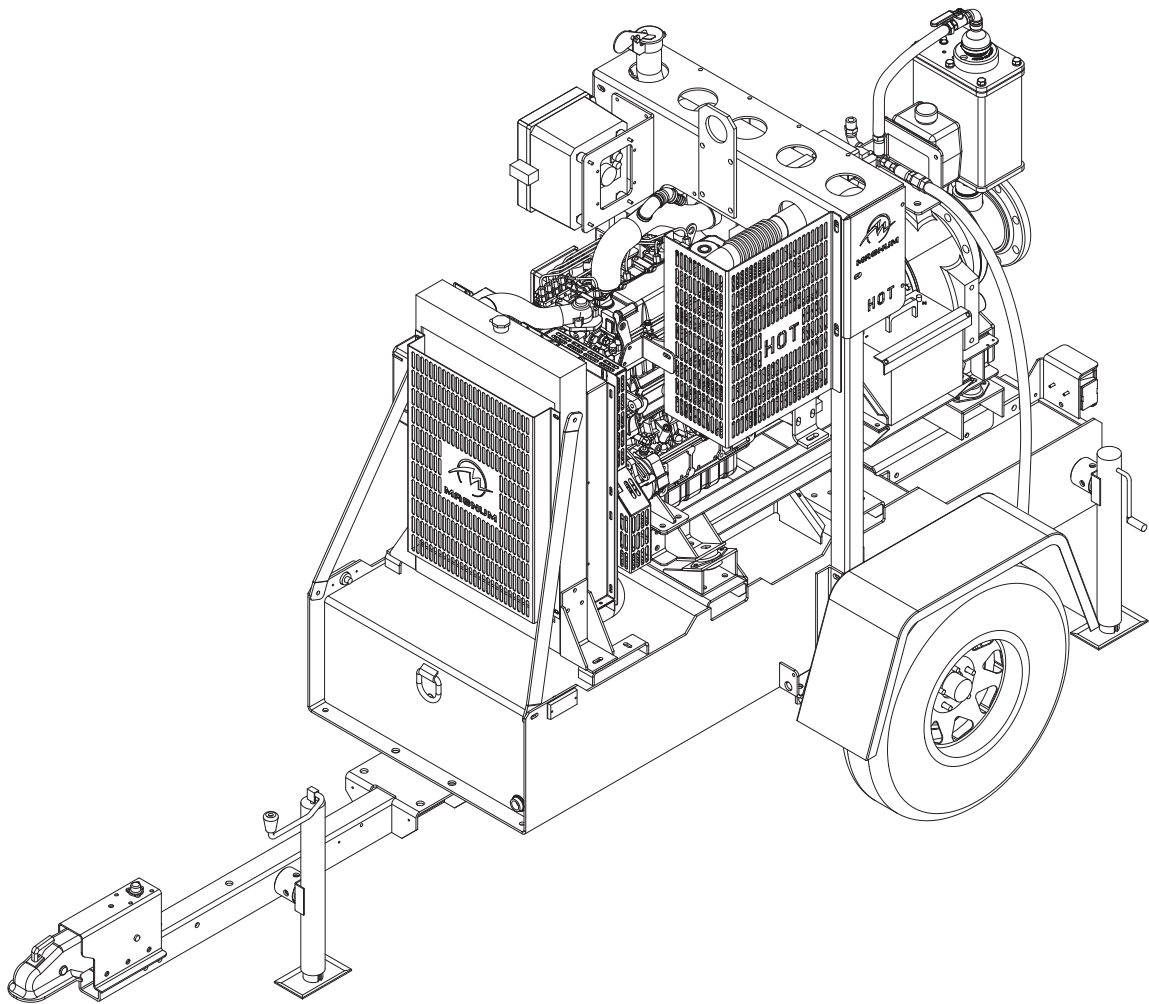




DRY-PRIME DIESEL TRASH PUMP MTP6000DKI4P



PARTS MANUAL

INTRODUCTION

Before servicing this machine, make sure the engine start switch is turned to off "O", the emergency stop switch is closed (pushed in), and the negative (-) terminal on battery is disconnected. Attach a "DO NOT START" sign to the control panel. This will notify everyone that the unit is being serviced and will reduce the chance of someone inadvertently trying to start the unit.

▲ WARNING

Before operating or servicing this equipment, read and understand the Magnum Operating Manual which was included with the unit when shipped from the factory. Failure to do so increases the risk of injury to yourself or others.

MAGNUM POWER PRODUCTS LLC

215 Power Drive • Berlin, WI 54923

U.S.A.

Phone: 920-361-4442

FAX: 920-361-4416

Toll Free: 1-800-926-9768

www.m-p-llc.com

For technical or parts QUESTIONS, please contact the Magnum Power Products LLC Customer Support or Technical Support team at 1-800-926-9768. Please have your serial number available.

To ORDER SERVICE PARTS, please contact the dealer from which you purchased the unit, or call Magnum Power Products LLC to locate a dealer in your area.

Engine Make: _____

Engine Serial Number: _____

Engine Model Number: _____

Pump Make: _____

Pump Model Number: _____

Pump Serial Number: _____

Unit Model Number: _____

Unit Serial Number: _____

▲ WARNING

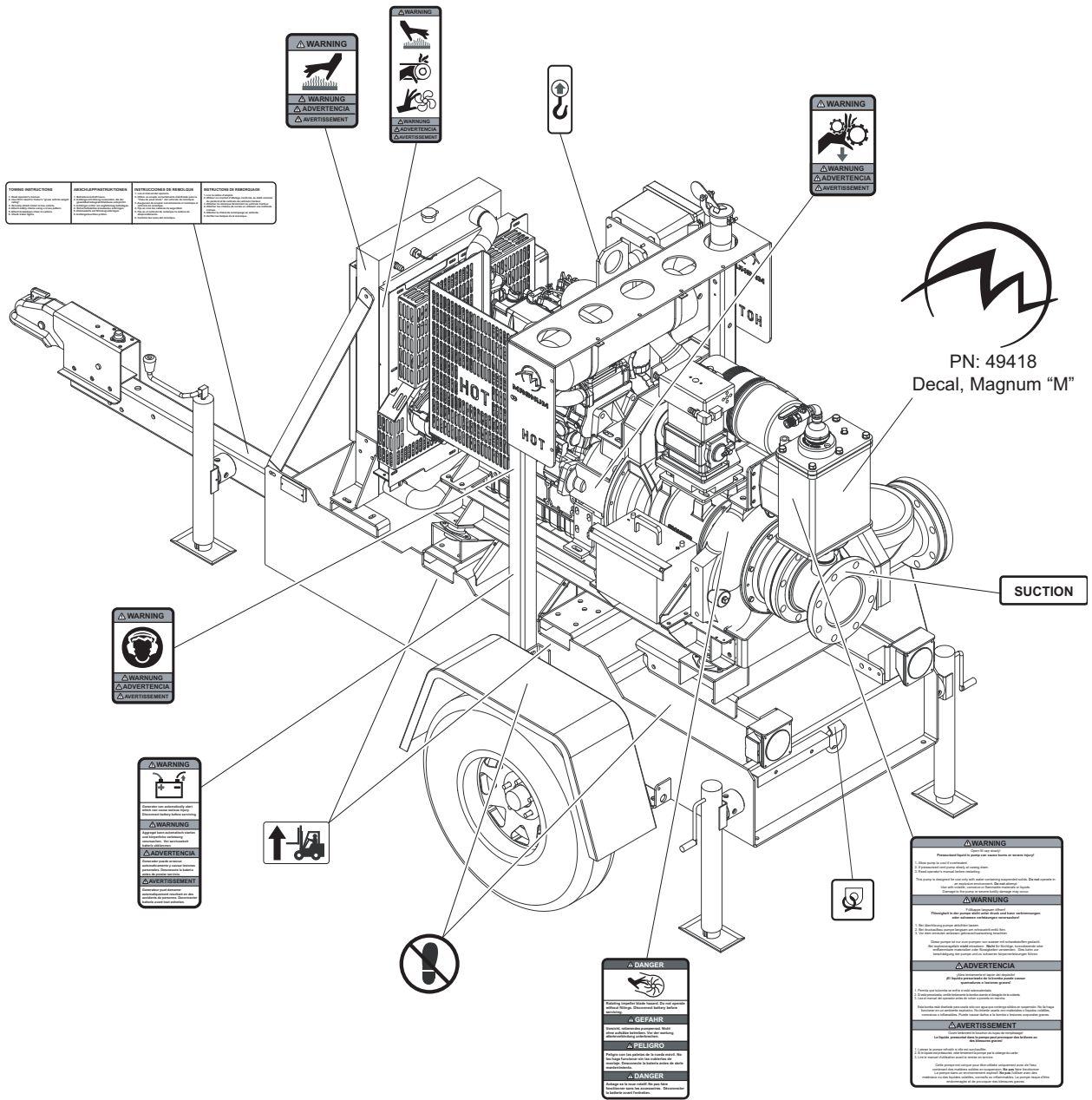
CALIFORNIA PROPOSITION 65 WARNING:

Diesel engine exhaust and some of its constituents are known to the state of California to cause cancer, birth defects and other reproductive harm.

TABLE OF CONTENTS

	Page
INTRODUCTION	2
UNIT DECALS - LEFT SIDE	4
UNIT DECALS - RIGHT SIDE	5
CONTROL BOX ASSEMBLY	6
AIR FILTER ASSEMBLY	8
EXHAUST SYSTEM ASSEMBLY	10
COOLING SYSTEM ASSEMBLY	12
ENGINE AND PUMP TO SKID ASSEMBLY	14
ENGINE ASSEMBLY - LEFT SIDE	16
ENGINE ASSEMBLY - RIGHT SIDE	18
HOTSTART KIT OPTION	20
EXTERNAL PUMP ASSEMBLY	22
PUMP AIR COMPRESSOR ASSEMBLY	24
AIR EDUCTOR KIT	26
INLET & OUTLET FITTINGS	28
BEARING FRAME ASSEMBLY	30
PRIMING CHAMBER ASSEMBLY	32
INTERNAL PUMP ASSEMBLY	34
SKID ASSEMBLY	36
FUEL TANK ASSEMBLY	38
TRAILER ASSEMBLY	40
AXLE ASSEMBLY	42
TRAILER BRAKE LINES	44
RECOMMENDED SPARE PARTS LIST	46

UNIT DECALS - LEFT SIDE



PN: 49418
Decal, Magnum "M"



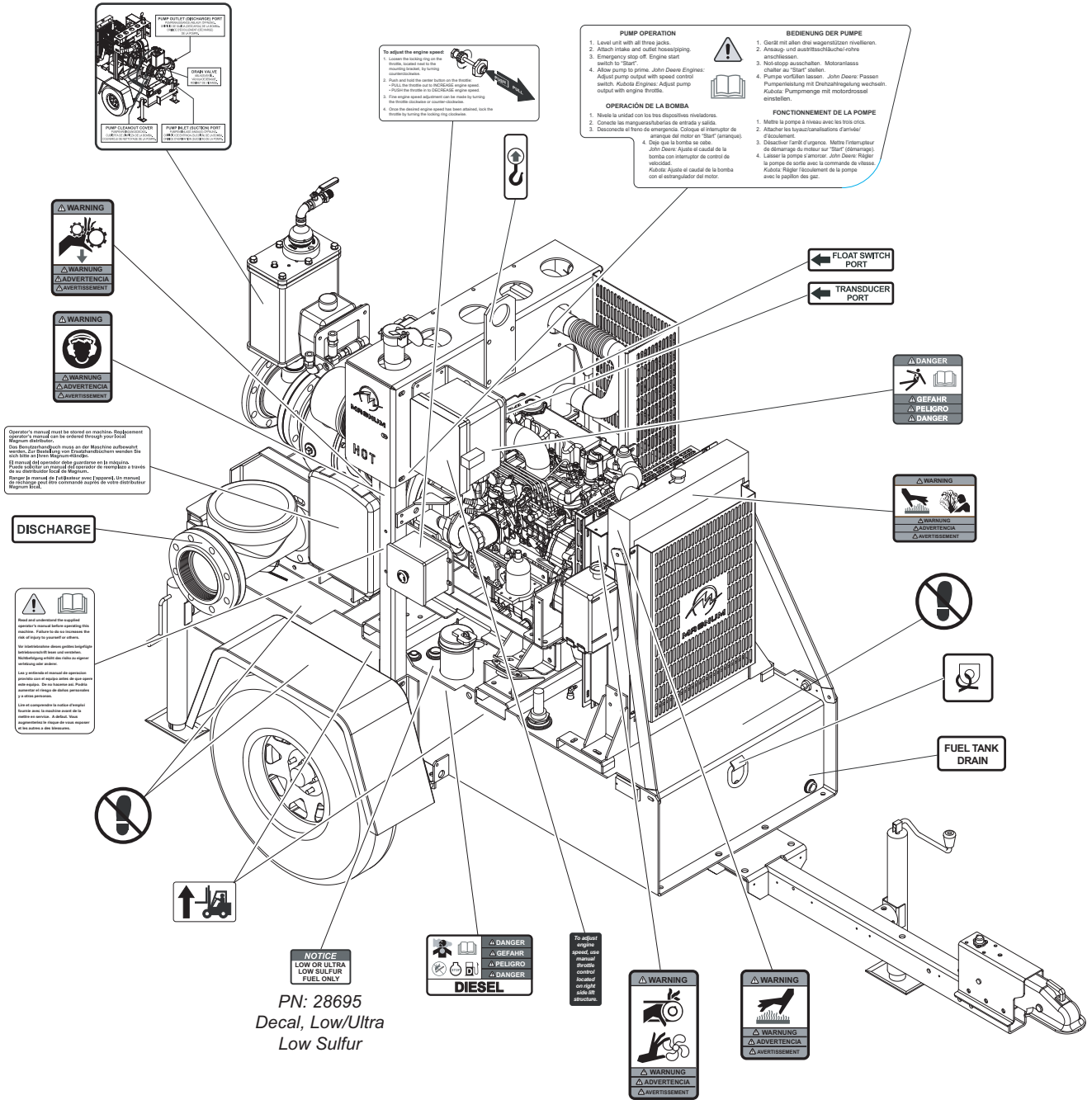
Magnum logo w/ red stripe
Part Number 11174



Magnum logo w/ web
Part Number 11275

Note: All safety and operating decals shown above are located on decal sheet 49532, unless otherwise noted.

UNIT DECALS - RIGHT SIDE



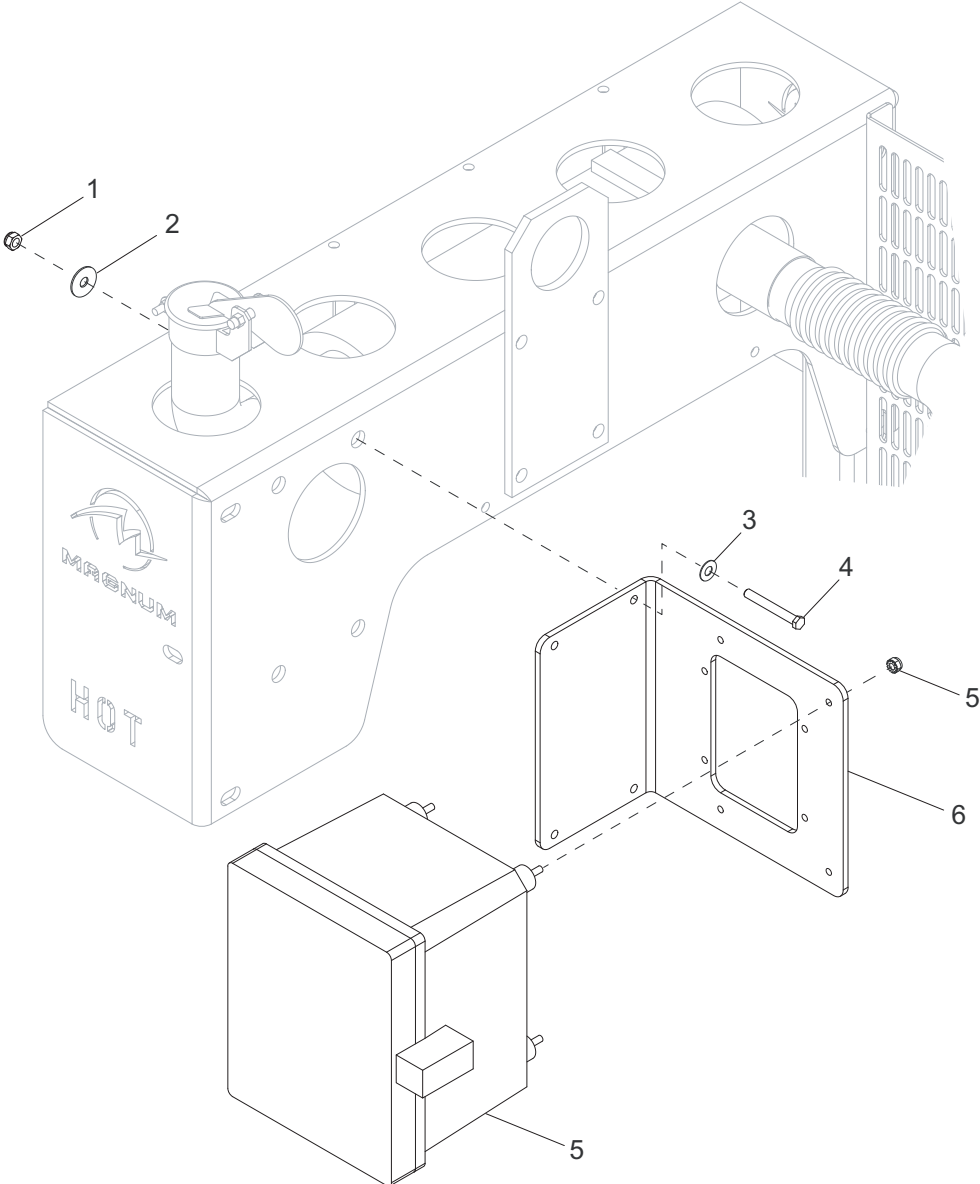
Magnum logo w/ red stripe
 Part Number 11174



Magnum logo w/ web
 Part Number 11275

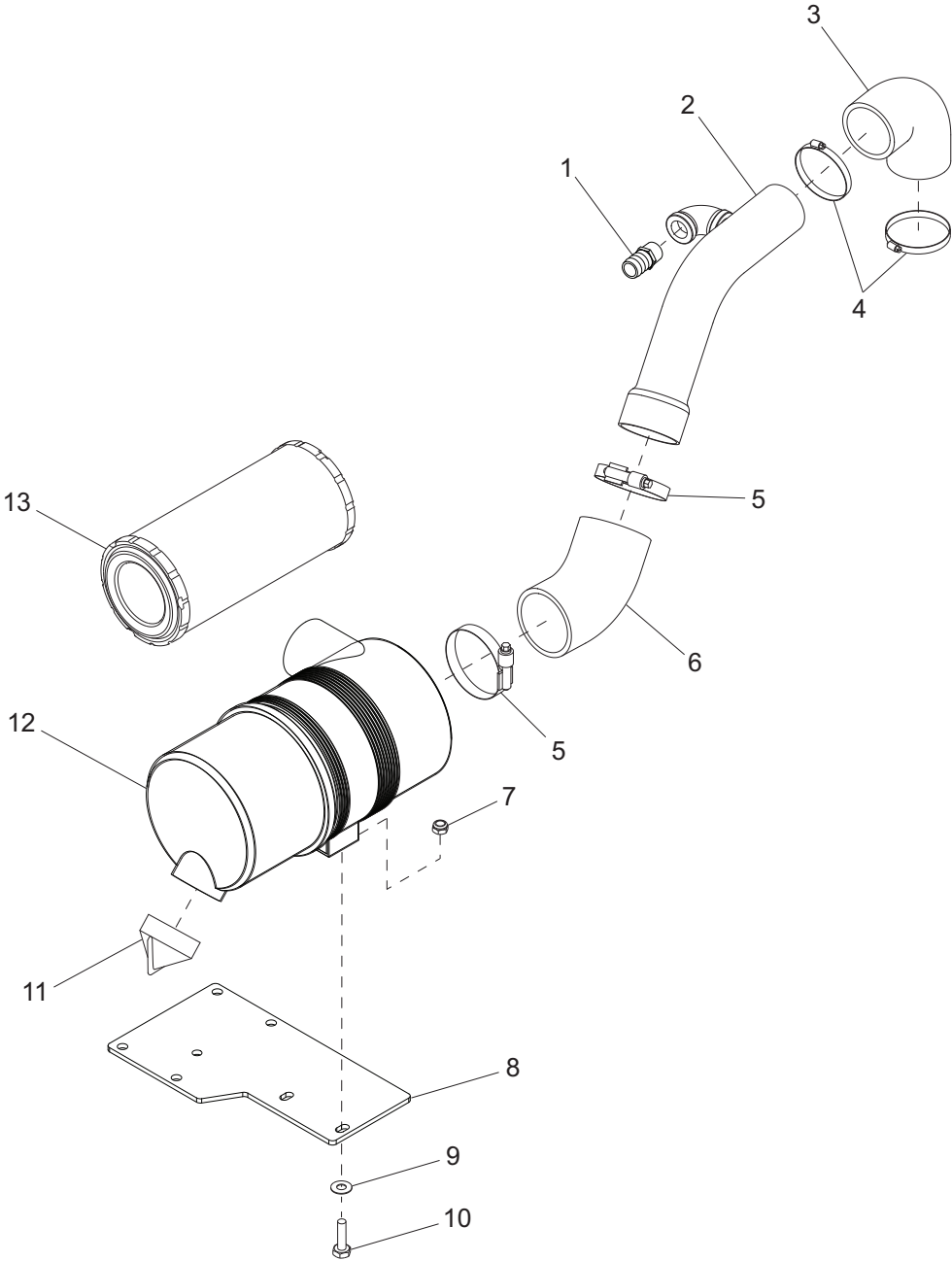
Note: All safety and operating decals shown above are located on decal sheet 49532, unless otherwise noted.

CONTROL BOX ASSEMBLY



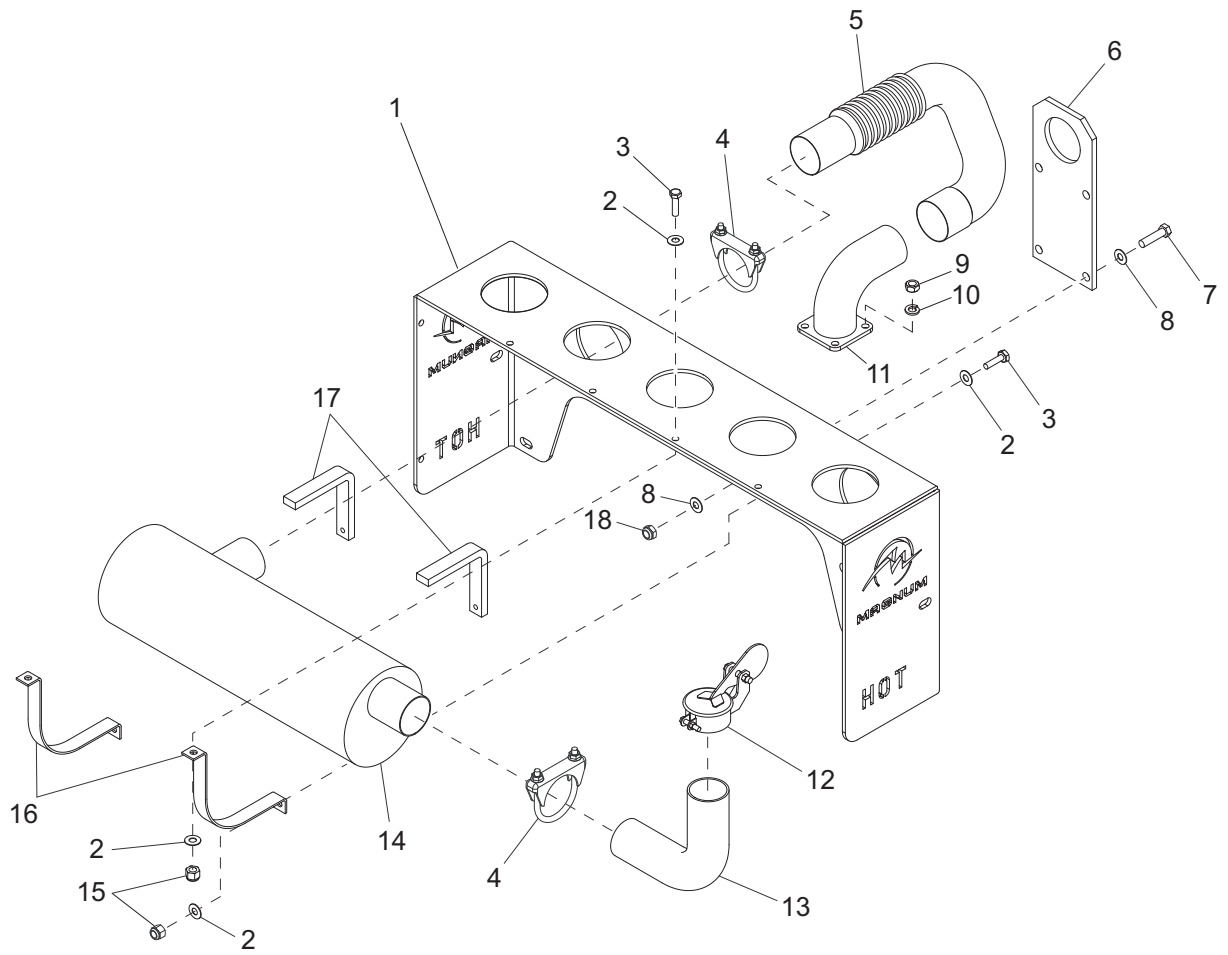
ITEM	PART NO.	QTY	DESCRIPTION	NOTES
1	60303	4	Nut, .312-18 nylock, G2	
2	60729	4	Washer, .375 fender 1.500/.090	
3	60119	4	Washer, .312 flat .875/.070	
4	62001	4	Screw, .312-18x1.250 std hex, G5	
5	33705	1	Controller, programmed - LOFA 750	
6	49494B	1	Bracket, control box mounting	

AIR FILTER ASSEMBLY



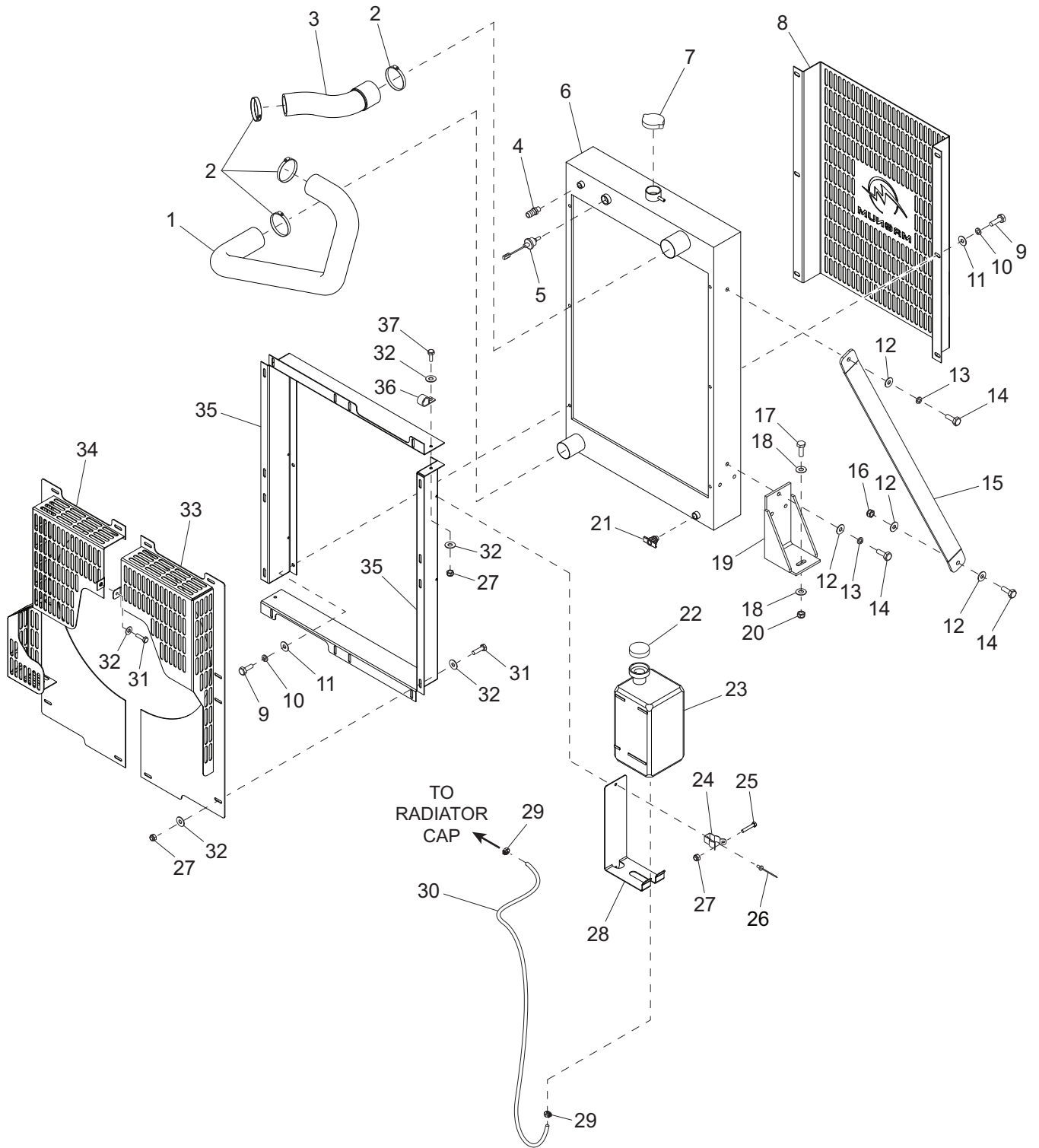
ITEM	PART NO.	QTY	DESCRIPTION	NOTES
1	25496	1	Fitting, strt - .750MNPTx1.0 barb, brass	
2	34165B	1	Weldment, air intake tube	
3	32037	1	Elbow, 90° - 2.5 ID molded rubber	
4	19336	2	Clamp, hose - SAE 044 (2.31-3.25)	
5	18663	2	Clamp, hose - SAE 060 (3.31-4.25)	
6	41050	1	Elbow, 45° - 3.0 ID molded rubber	
7	60303	2	Nut, .312-18 nylock, G2	
8	32022B	1	Bracket, air filter	
9	60386	2	Washer, .375 flat .993/.064	
10	60028	2	Screw, .312-18x1.0 std hex, G5	
11	19277	1	Cap, dust ejector	
12	22967	1	Filter, air	
13	22874	1	Element, air filter	

EXHAUST SYSTEM ASSEMBLY



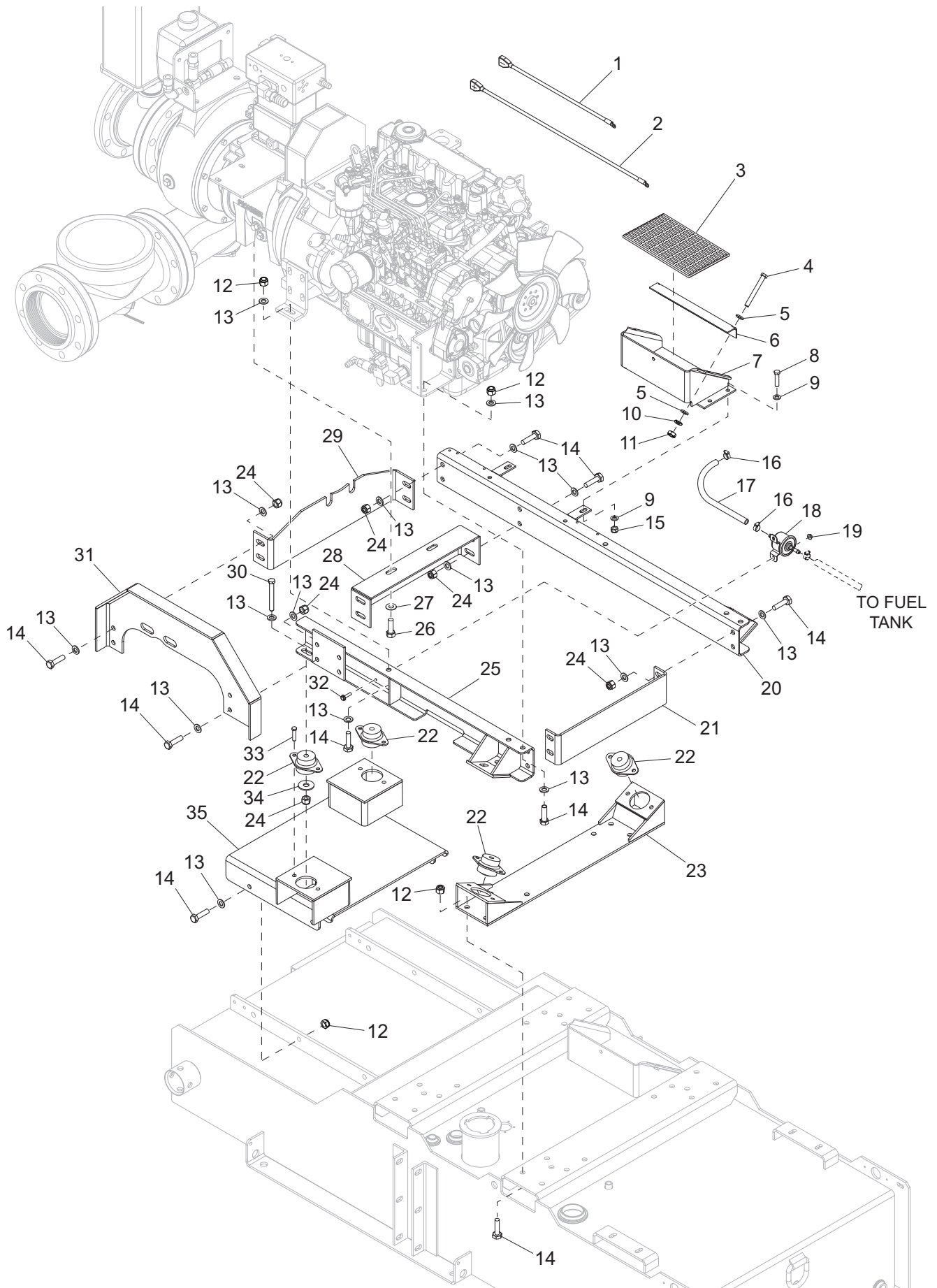
ITEM	PART NO.	QTY	DESCRIPTION	NOTES
1	41068R	1	Bracket, lift support	
2	60386	8	Washer, .375 flat .993/.064	
3	60352	4	Screw, .375-16x1.25 std hex, G5	
4	61028	2	Clamp, muffler - 2.50 in. lt duty	
5	33590B	1	Pipe, exhaust	
6	41080B	1	Bracket, lift eye	
7	60484	4	Screw, .500-13x2.0 std hex, G5	
8	60309	8	Washer, .500 flat 1.060/.090	
9	60344	4	Nut, M10-1.25 hex, SS	
10	60026	4	Washer, M10 split lock	
11	33589B	1	Pipe, exhaust	
12	25647B	1	Cap, rain 2.50 in	
13	41132B	1	Pipe, exhaust - 90°, 2.50 OD	
14	22670	1	Muffler, residential	
15	60358	4	Nut, .375-16 nylock, G5	
16	41082B	2	Bracket, muffler	
17	41083B	2	Spacer, muffler	
18	62221	4	Nut, .500-13 nylock, G5	

COOLING SYSTEM ASSEMBLY



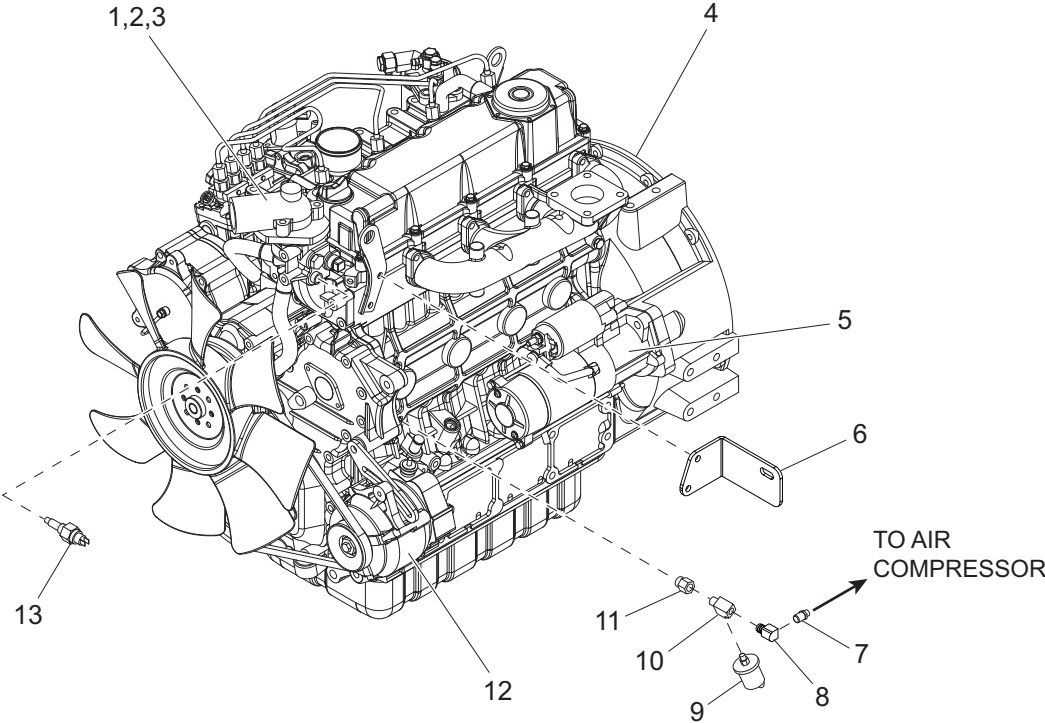
ITEM	PART NO.	QTY	DESCRIPTION	NOTES
1	30494	1	Hose, lower radiator	
2	60316	4	Clamp, hose - SAE 032 (1.56-2.50)	
3	30493	1	Hose, upper radiator	
4	25917	1	Fitting, strt - .250NPTx.625 barb	
5	30942	1	Assembly, low coolant switch/harness	
6	41257	1	Radiator	
7	19219	1	Cap, radiator pressure - 14 psi	
8	41040R	1	Guard, rock	
9	60028	12	Screw, .312-18x1.0 std hex, G5	
10	60271	12	Washer, .312 split lock	
11	60119	12	Washer, .312 flat .875/.070	
12	60386	12	Washer, .375 flat .993/.064	
13	60206	8	Washer, .375 split lock	
14	60205	10	Screw, .375-16x1.0 std hex, G5	
15	33527B	2	Strut, radiator support	
16	60358	2	Nut, .375-16 nylock, G5	
17	60388	2	Screw, .500-13x1.50 std hex, G5	
18	60309	4	Washer, .500 flat 1.060/.090	
19	33525B	2	Weldment, radiator mount	
20	62221	2	Nut, .500-13 nylock, G5	
21	63197	1	Fitting, strt - .375MNPT drain cock	
22	19714	1	Cap, overflow jug	
23	41958	1	Jug, overflow - 3.5 qt	
24	19726	1	Clamp, overflow jug	
25	60414	1	Screw, .250-20x1.50 std hex, G5	
26	60068	2	Rivet, .188 dia x .126 to .250 grip	
27	60144	14	Nut, .250-20 nylock, G5	
28	41206B	1	Bracket, overflow jug	
29	60777	2	Clamp, hose - .312 fuel hose	Crimp style
30	50018	3.5 ft	Hose, fuel - .312 ID, 50 psi, SAE 30R7	
31	60281	13	Screw, .250-20x.750 std hex, G5	
32	60243	37	Washer, .250 flat .735/.060	
33	30878B	1	Weldment, fan guard - right	
34	30877B	1	Weldment, fan guard - left	
35	41281B	2	Radiator shroud	
36	16143	1	Clamp, tubing - .500	
37	60393	2	Screw, .250-20x1.0 std hex, G5	
--	31022	1	Assembly, radiator	

ENGINE AND PUMP TO SKID ASSEMBLY



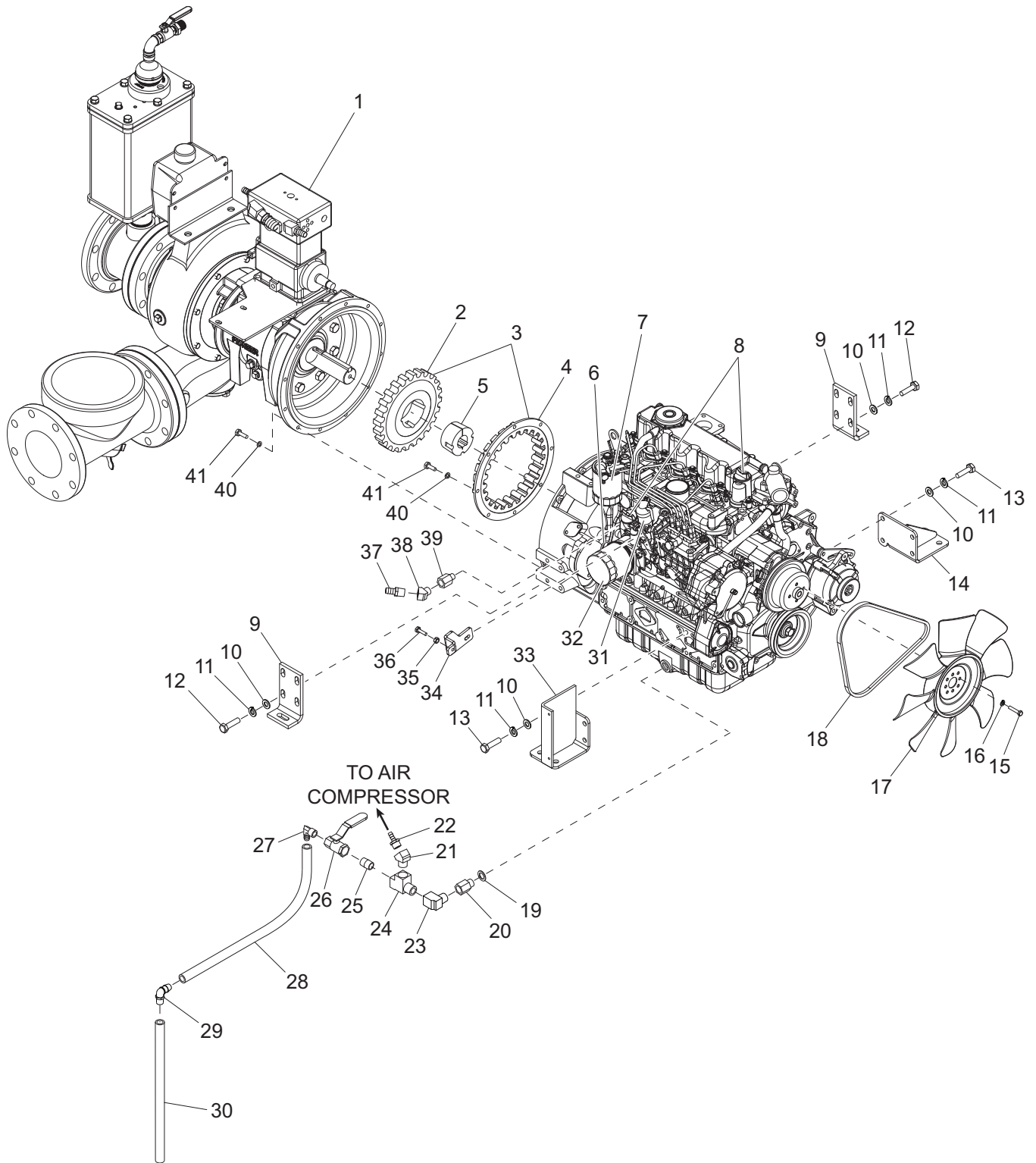
ITEM	PART NO.	QTY	DESCRIPTION	NOTES
1	65686	1	Cable, battery - 24 in. 2GA, blk	3/8 in. lug
2	32812	1	Cable, battery - 34 in. 2GA, red	3/8 in. lug
3	41185	1	Battery pad - 6.00x10.00 in	
4	60845	2	Screw, .312-18x7.0 std hex, G5	
5	60119	4	Washer, .312 flat .875/.070	
6	41055B	1	Bracket, battery tie-down	
7	31016B	1	Weldment, battery bracket	
8	60352	2	Screw, .375-16x1.250 std hex, G5	
9	60386	4	Washer, .375 flat .993/.064	
10	60271	2	Washer, .312 split lock	
11	60303	2	Nut, .312-18 nylock, G2	
12	62221	6	Nut, .500-13 nylock, G5	
13	60309	44	Washer, .500 flat 1.060/.090	
14	60388	22	Screw, .500-13x1.50 std hex, G5	
15	60358	10	Nut, .375-16 nylock, G5	
16	14216	2	Clamp, hose - SAE 004 (.21-.62) mini	
17	50018	3 ft	Hose, fuel - .312 ID, 50 psi, SAE 30R7	
18	13278	1	Pump, fuel - Kubota electric D905	
19	60161	2	Nut, .250-20 sflg, G5	
20	33492B	1	Weldment, engine support channel - LH	
21	33516B	1	Bracket, engine support - front	
22	22788	4	Isolator, rubber - 350 lbs	
23	33496B	1	Weldment, engine support	
24	60668	20	Nut, .500-13 nylock, G8	
25	33491B	1	Weldment, engine support channel - RH	
26	63113	2	Screw, .625-11x1.0 std hex, G5	
27	60180	2	Washer, .625 flat 1.750/.10-.16	
28	31789B	1	Bracket, pump support	
29	31791B	1	Bracket, pump support	
30	61094	4	Screw, .500-13x3.50 std hex, G8	
31	31790B	1	Bracket, pump support	
32	60479	2	Screw, .250-20x1.0 sflg hex, G5	
33	60205	8	Screw, .375-16x1.0 std hex, G5	
34	18085	4	Washer, .510 snub 2.0/.130	
35	33370B	1	Weldment, pump support	

ENGINE ASSEMBLY - LEFT SIDE



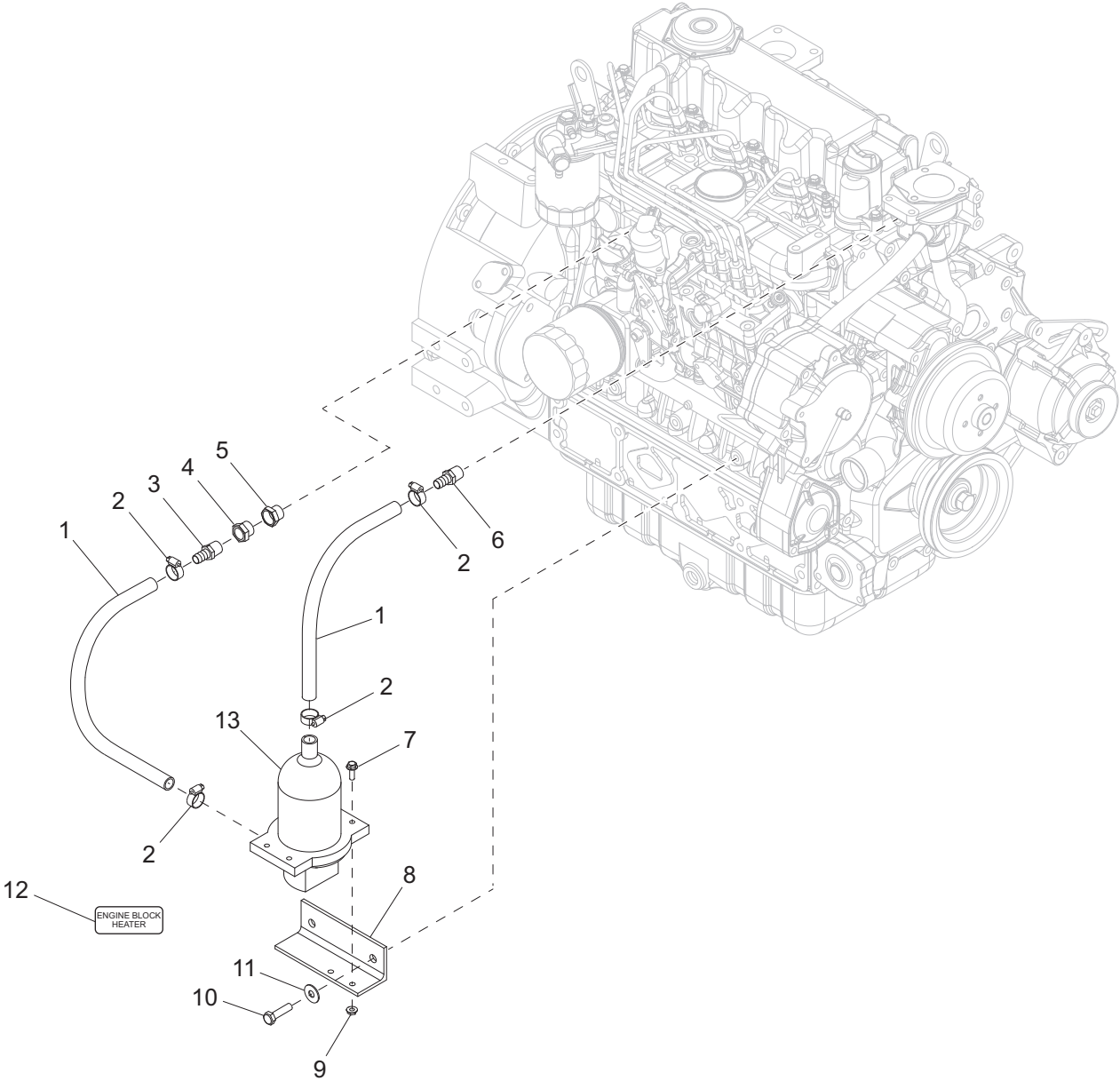
ITEM	PART NO.	QTY	DESCRIPTION	NOTES
1	27223	1	Coolant outlet port - Kubota	
2	28979	1	Thermostat, Kubota	Inside coolant outlet port
3	33253	1	Gasket, thermostat housing - Kubota	Under coolant outlet port
4	49914	1	Engine, Kubota (V3600-E3B-KEA-3)	
5	32742	1	Starter (V3600-E3B-KEA-3)	
6	30950B	1	Bracket, heat shield	
7	61073	1	Fitting, strt - .125MNPTx.250MJIC brs	
8	60734	1	Fitting, 90° - .125MNPTx.125FNPT brs	
9	30242	1	Sender, oil - .125NPT (150 psi) LOFA	
10	60735	1	Fitting, strt T - .125NPT brass	
11	61033	1	Fitting, strt - .375FNPTxM18x1.50	
12	32743	1	Alternator (V3600-E3B-KEA-3)	
13	32040	1	Sender, temperature - .375NPT	

ENGINE ASSEMBLY - RIGHT SIDE



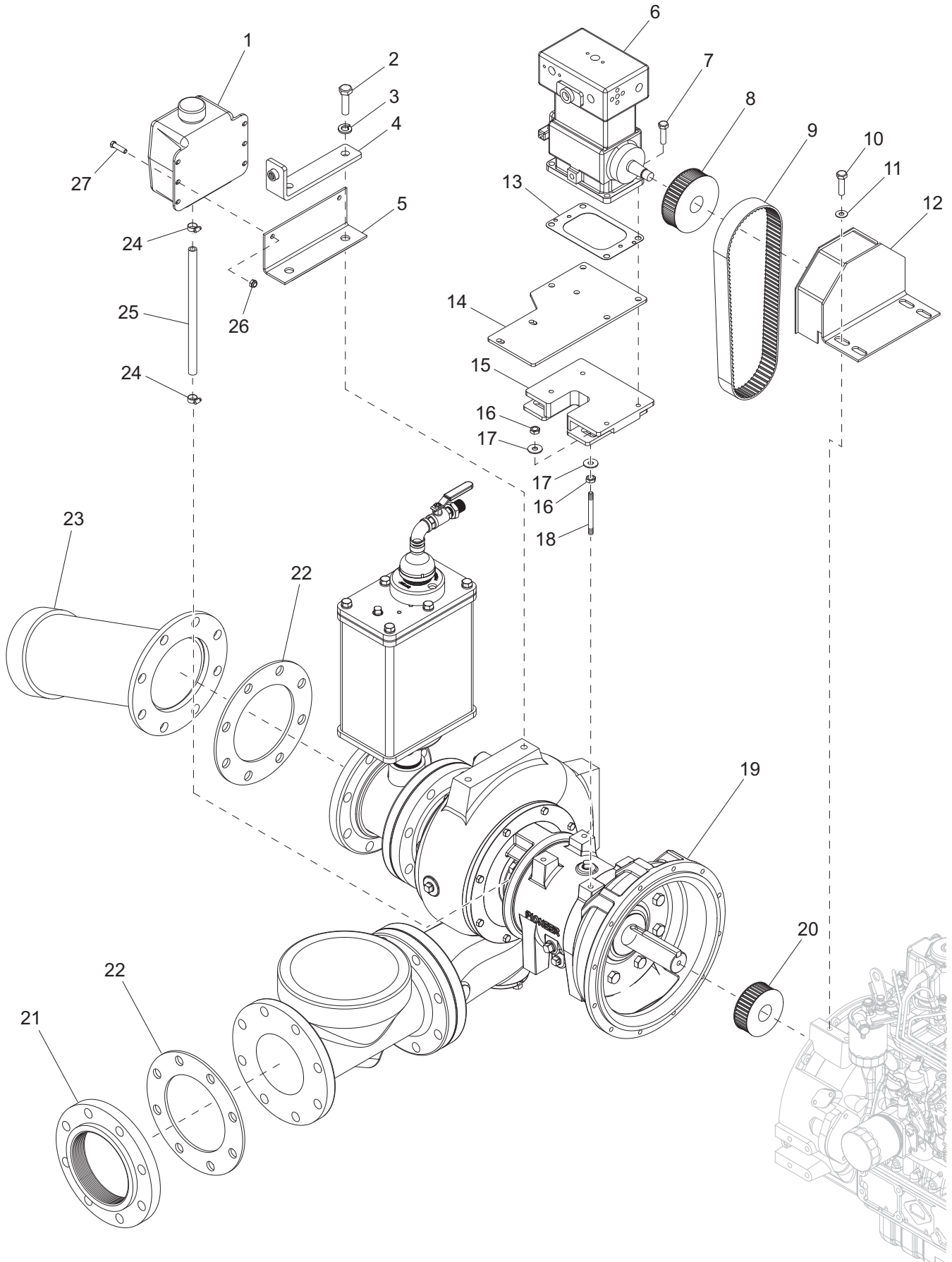
ITEM	PART NO.	QTY	DESCRIPTION	NOTES
1	49263B	1	Pump, trash - 6 in. Pioneer	VP66S10L72-EG410
2	41192	1	Coupling rubber driver	
3	41193	1	Coupling flywheel ring/rubber driver	Set (items 2 & 4)
4	41191	1	Coupling flywheel ring	
5	41194	1	Coupling hub	
6	27472	1	Dipstick, Kubota (V3600-E3B-KEA-3)	
7	32745	1	Filter, fuel (V3600-E3B-KEA-3)	
8	27473	2	Cap, oil fill - Kubota	
9	49819B	2	Bracket, engine mount	
10	60309	16	Washer, .500 flat 1.060/.090	
11	60276	16	Washer, .500 split lock	
12	63186	8	Screw, .500-13x1.25 std hex, G5	
13	63076	8	Screw, M12-1.25x30 std hex, G10.9	
14	31035B	1	Weldment, engine mount - LH	
15	61082	4	Screw, M8-1.25x20 std hex, G8.8	
16	60029	4	Washer, M8 split lock	
17	32783	1	Fan, Kubota V3600 pusher	
18	32741	1	Belt, fan (V3600-E3B-KEA-3)	
19	19467	1	Seal, M22	
20	19307	1	Fitting, strt - .500FNPTxM22x1.50, brs	
21	61040	1	Fitting, 45° - .500MNPTx.500FNPT, brs	
22	23816	1	Fitting, strt - .500MNPTx.375 barb, brs	
23	60998	1	Fitting, 90° - .500MNPTx.500FNPT, brs	
24	61030	1	Fitting, T - .500NPT, brass	
25	60438	1	Fitting, pipe nipple - .500NPT x close	
26	60985	1	Valve, ball .500NPTF pad-locking	
27	61014	1	Fitting, 90° - .500MNPTx.625 barb, brs	
28	50201	1.33 ft	Hose, .625 - 200 psi, class A	
29	63293	1	Fitting, 90° - .625 barb x .625 barb, blk nyl	
30	50201	1.25 ft	Hose, .625 - 200 psi, class A	
31	32788	1	Shutdown solenoid, Kubota	
32	32744	1	Filter, oil - Kubota	
33	31034B	1	Weldment, engine mount - RH	
34	32043B	1	Bracket, rpm limiting screw	
35	60284	1	Nut, .250-20 hex, G2	
36	60143	1	Screw, .250-20x2.0 pan phil, G5	
37	60502	1	Fitting, strt - .500MNPTx.625 barb, brs	
38	61040	1	Fitting, 45° - .500MNPTx.500FNPT, brs	
39	66785	1	Fitting, strt - .500FNPTxM16x1.50	
40	60206	20	Washer, .375 split lock	
41	60205	20	Screw, .375-16x1.0 std hex, G5	


HOTSTART KIT OPTION



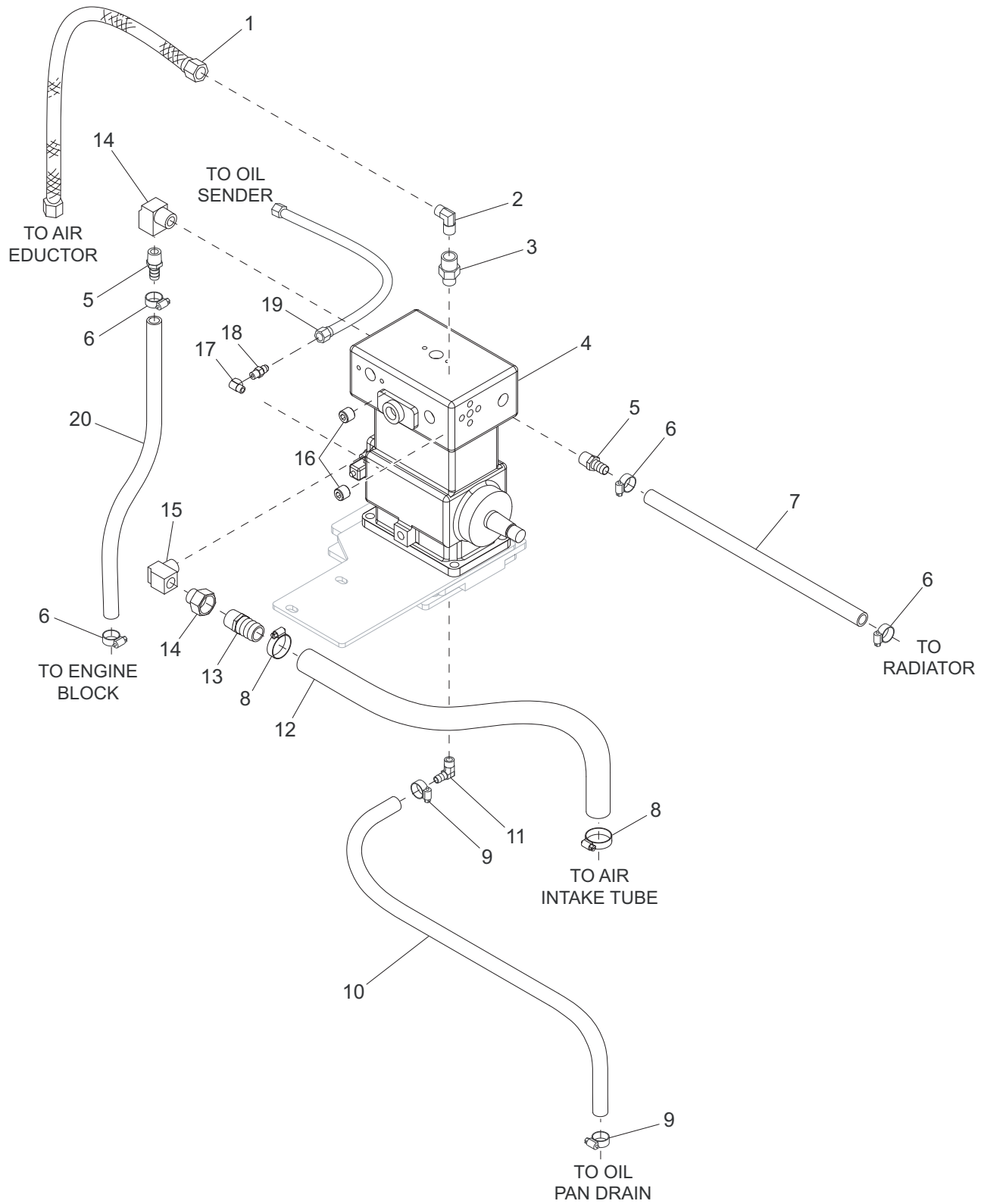
ITEM	PART NO.	QTY	DESCRIPTION	NOTES
1	50201	2.16 ft	Hose, .625, 200 psi, class A	
2	60365	4	Clamp, hose - SAE 010 (.56-1.06)	
3	60502	1	Fitting, strt - .500MNPTx.625 barb, brs	
4	61161	1	Fitting, bushing - .750MNPTx.500FNPT, brs	
5	24006	1	Fitting, strt - 1.0 MNPTx.750FNPT	
6	25931	1	Fitting, strt - .375NPTx.625 barb	
7	60479	2	Screw, .250-20x1.0 sflg hex, G5	
8	32803B	1	Bracket, block heater	
9	60161	2	Nut, .250-20 sflg, G5	
10	60422	2	Screw, M10-1.25x25 std hex, G8.8	
11	60386	2	Washer, .375 flat .993/.064	
12	28964	1	Decal, engine block heater	
13	25914	1	Heater, coolant	

EXTERNAL PUMP ASSEMBLY



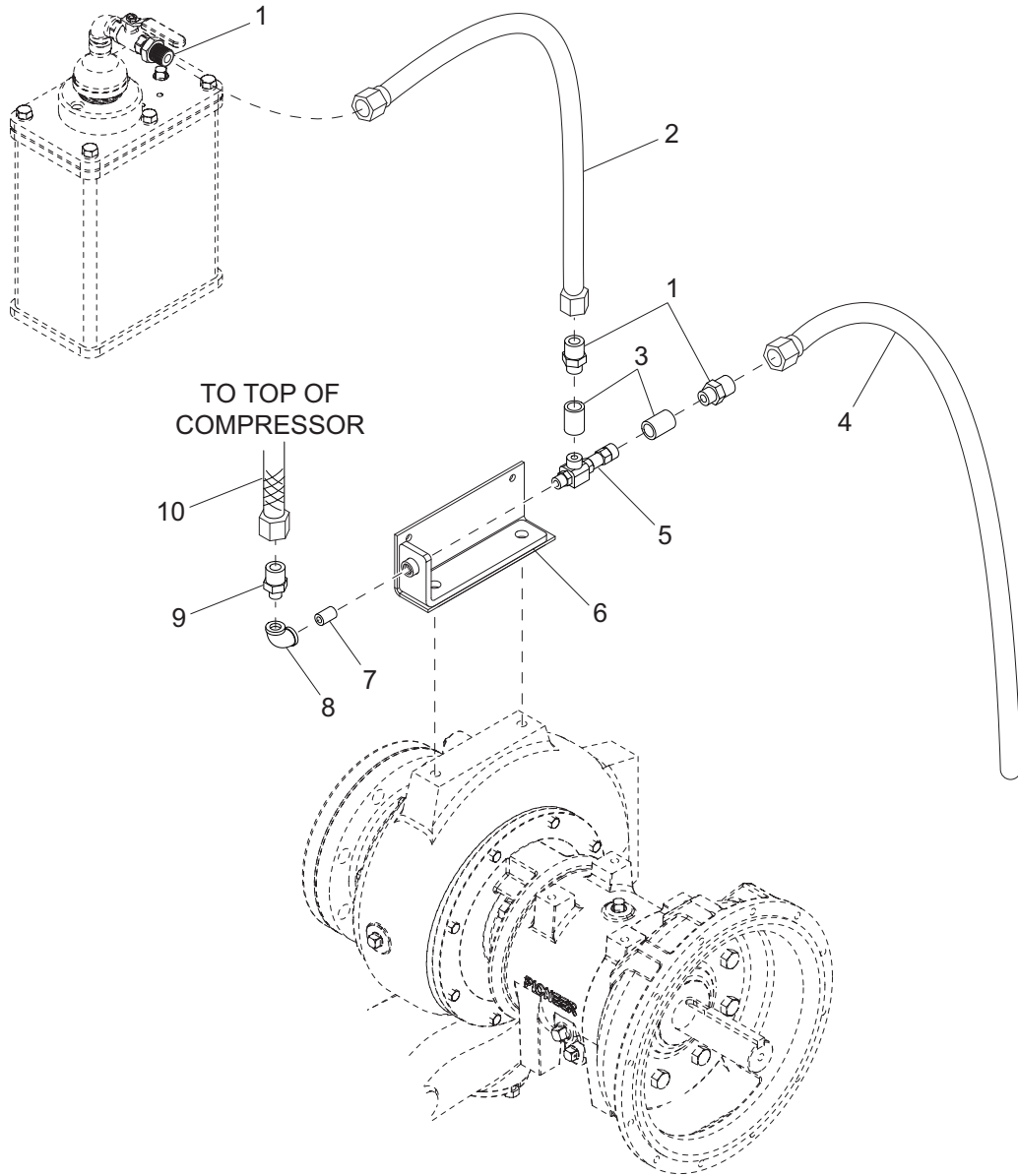
ITEM	PART NO.	QTY	DESCRIPTION	NOTES
1	49585	1	Reservoir, seal oil (poly 3 qt)	
2	63113	2	Screw, .625-11x1.0 std hex, G5	
3	61023	2	Washer, .625 split lock	
4	49571	1	Bracket, jet pump 3/8 NPT	
5	32561B	1	Bracket, pump oil reservoir	
6	49267	1	Compressor, air - Bendix TF-550108112	
7	63283	4	Screw, .438-14x1.50 std hex, G5	
7	60358	4	Nut, .375-16 nylock, G5	
8	30498	1	Pulley, driver - 48 tooth, air compressor	
9	33235	1	Belt, timing	
10	60275	8	Screw, .500-13x1.0 std hex, G5	
11	60309	8	Washer, .500 flat 1.060/.090	
12	32035B	1	Weldment, belt guard	
13	49421	1	Gasket, compressor base	
14	32022B	1	Bracket, air filter	
15	33192B	1	Bracket, pump compressor	
16	60333	8	Nut, .500-13 jam, G5	
17	61096	8	Washer, .500 flat 1.375/.110	
18	63282	4	Stud, .500-13x2.50, G5	
19	49263B	1	Pump, trash - 6.00 dry prime PPI VP66S10L72-EG410	
20	30497	1	Pulley, driven - 40 tooth, air compressor	
21	41306B	1	Flange, 6.00NPT female - ANSI 150 lb	
22	41061	2	Gasket, pump flange - 6.00	
23	49371B	1	Weldment, pump inlet - 6.00 ppi	
24	19453	2	Clamp, hose - SAE 006 (.37-.87)	
25	50017	1.66 ft	Hose, fuel - .250 ID, 50 psi, SAE 30R7	
26	60095	2	Nut, .312-18 sflg	
27	61091	2	Screw, M4-0.70x12 pan phil, G4.8	

PUMP AIR COMPRESSOR ASSEMBLY



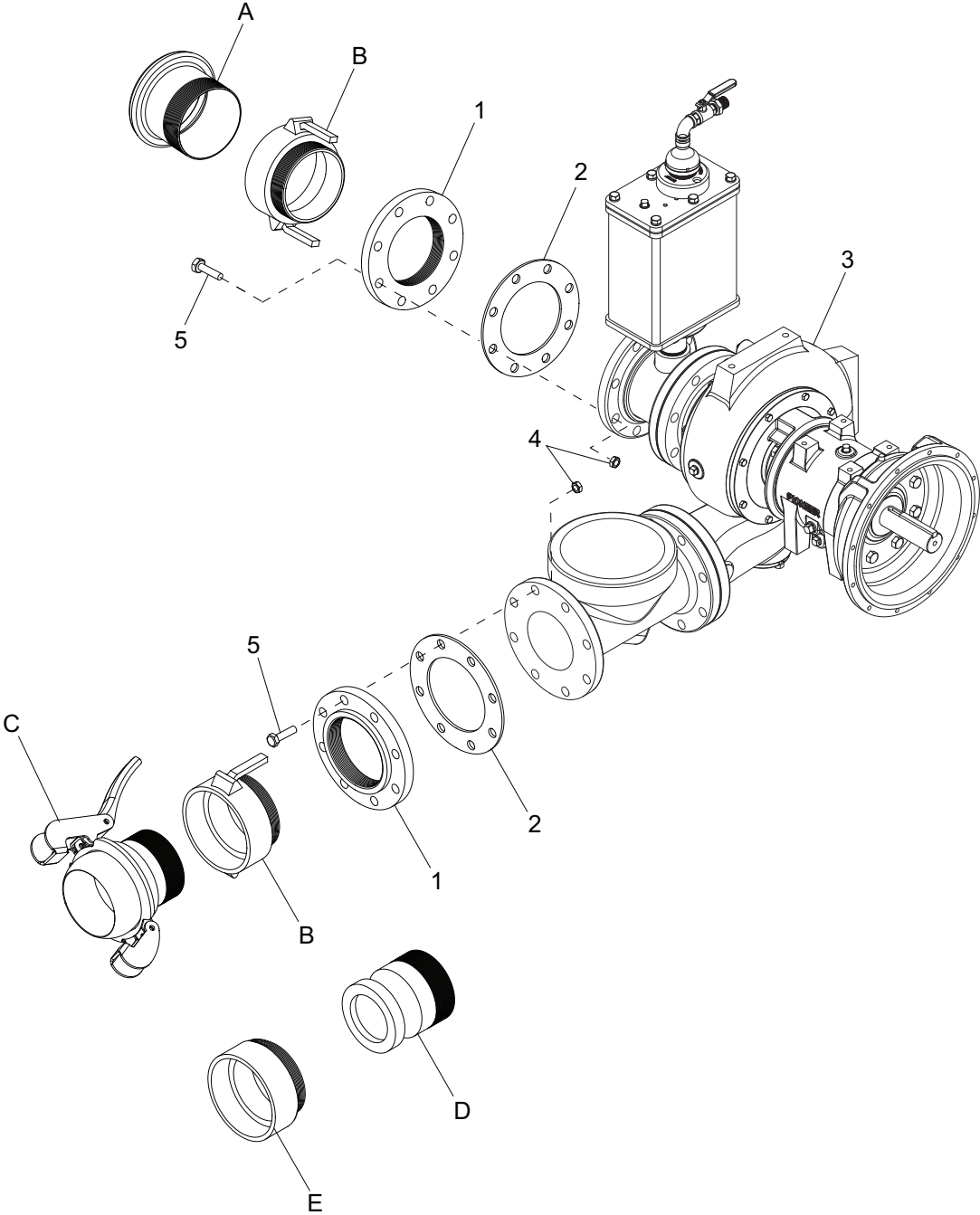
ITEM	PART NO.	QTY	DESCRIPTION	NOTES
1	32105	1	Hose assembly - .375 braided x 18.00 in	
2	49792	1	Fitting, 90° - SAE12 MJICx12 FJIC	Supplied with pump
3	63181	1	Fitting, strt - .500MNPTx.75	
4	49267	1	Compressor, air - Bendix TF-550108112	
5	60502	2	Fitting, strt - .500MNPTx.625 barb, brs	
6	60365	4	Clamp, hose - SAE 010 (.56-1.06)	
7	50201	2.83 ft	Hose, .625 - 200 psi, class A	
8	19338	2	Clamp, hose - SAE 016 (.68-1.50)	
9	14216	2	Clamp, hose - SAE 004 (.21-.62) mini	
10	50051	3.16 ft	Hose, fuel - .375 ID, 50 psi, SAE 30R7	
11	20645	1	Fitting, 90-.250NPTx.375 barb, brs	
12	50019	1.33 ft	Hose, fuel - 1.00 SAE 20R3	
13	25496	1	Fitting, strt - .750MNPTx1.0 barb, brs	
14	22461	1	Fitting, strt - .500MNPTx.750FNPT, brs	
15	60998	2	Fitting, 90° - .500MNPTx.500FNPT, brs	
16	63115	2	Fitting, plug-.125NPT x flush mount	
17	60734	1	Fitting, 90° - .125MNPTx.125FNPT, brs	
18	61073	1	Fitting, strt - .125MNPTx.250MJIC, brs	
19	41420	1	Hose, oil supply - .25 IDx50.0, 300 psi	
20	50201	5.16 ft	Hose, .625 - 200 psi, class A	

AIR EDUCTOR KIT



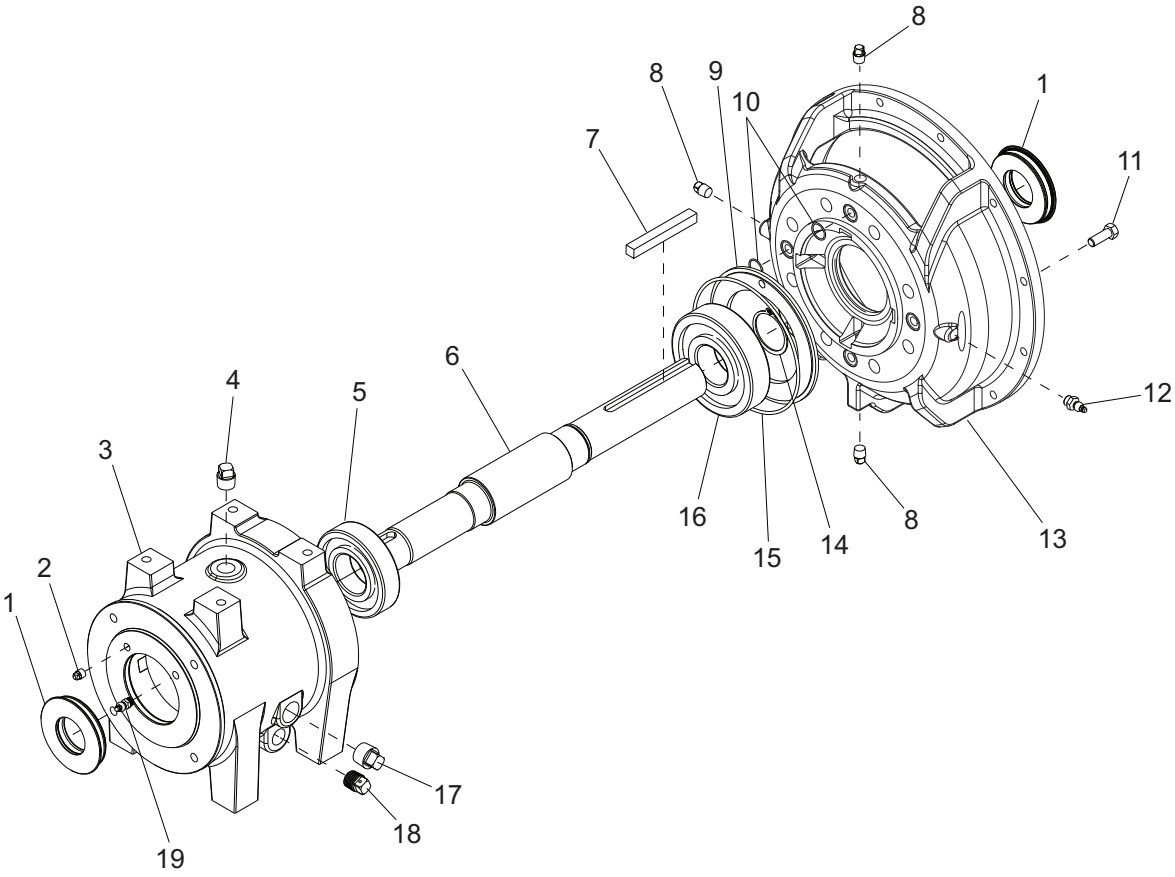
ITEM	PART NO.	QTY	DESCRIPTION	NOTES
1	49724	3	Fitting, 1/2NPT - 3/4 JIC	
2	49725	1	Hose assembly, 3/4 in. pipe x 19 in.	
3	49726	2	Coupling 1/2NPTx1/2NPT	
4	49727	1	Hose assembly 3/4 in. pipe x 58 in.	
5	49572	1	Air eductor	
6	49571	1	Bracket, jet pump 3/8NPT	
7	49728	1	Nipple, 3/8NPT	
8	49729	1	Elbow, 90° - 3/8NPT	
9	49730	1	Fitting, 3/8NPT - 3/8 JIC	
10	49731	1	Hose assembly .375 braided hose x 58.00	
--	49732	1	Air eductor kit	Items 1 - 10

INLET & OUTLET FITTINGS



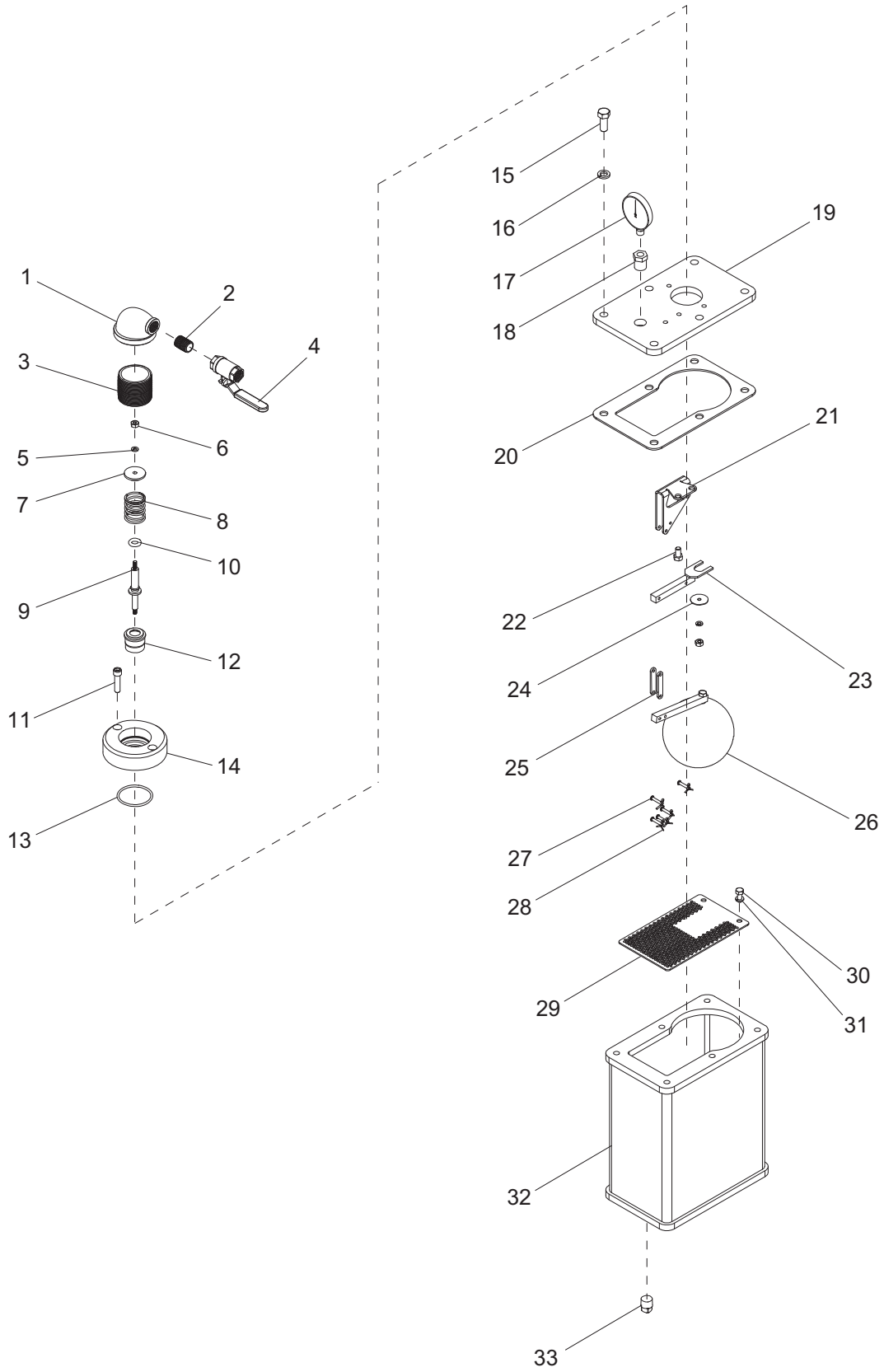
ITEM	PART NO.	QTY	DESCRIPTION	NOTES
1	41306B	2	Flange, 6.00 NPT female - ANSI 150 lb	
2	41061	2	Gasket, pump flange - 6.00	
3	49263B	1	Pump, trash - 6.00 dry prime	See Page 12
4	61077	16	Nut, .750-10 jam, G2	
5	61076	16	Screw, .750-10x3.0 std hex, G5	
A	41327	1	Socket - male galv	Option
B	41329	2	Cam & groove - coupler	Option
C	41325	1	Ball & lock ring - galv	Option
D	41587	2	Cam & groove - coupler	Option
E	41556B	1	Weldment, pump fitting	Option

BEARING FRAME ASSEMBLY



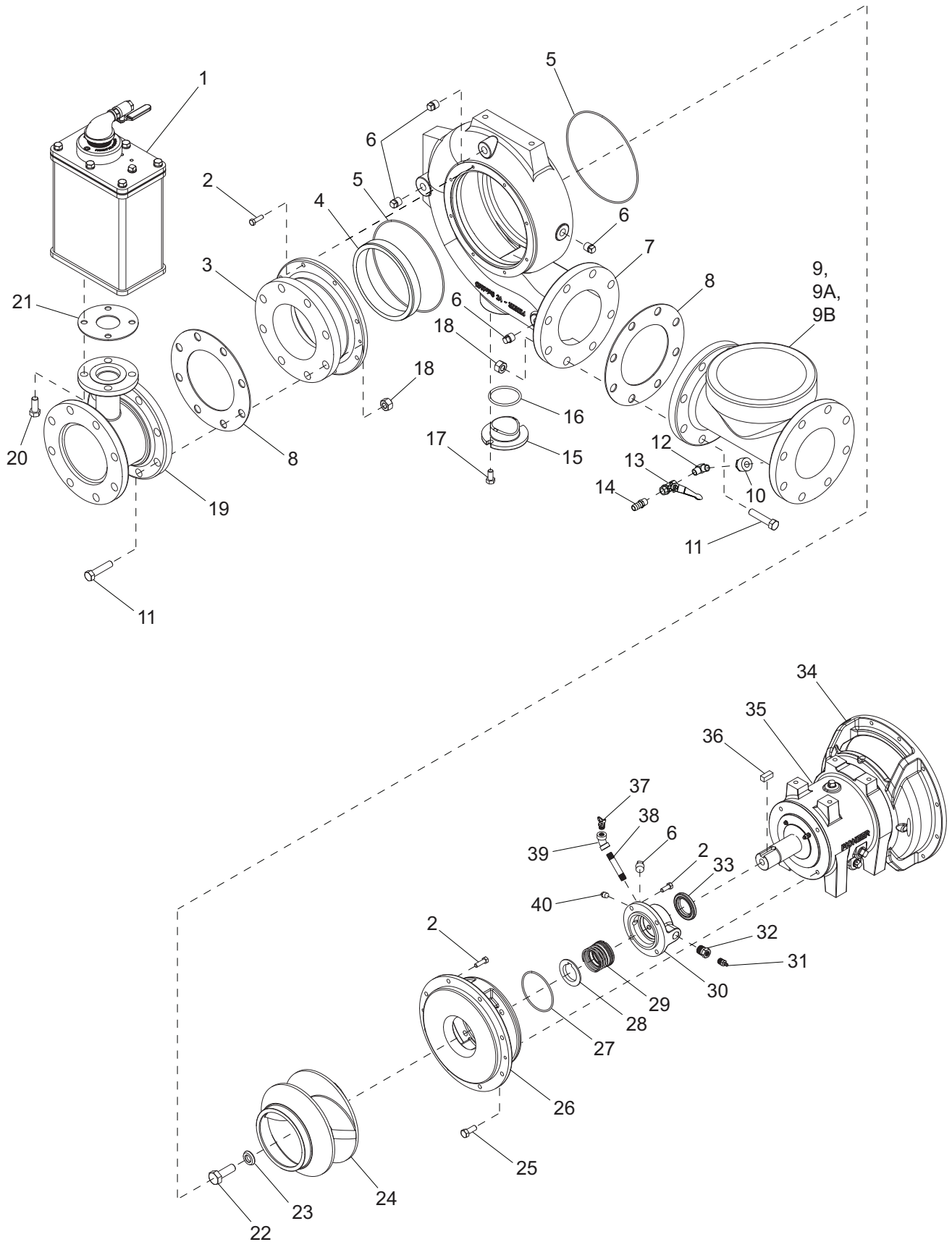
ITEM	PART NO.	QTY	DESCRIPTION	NOTES
1	49601	2	Thrust washer	
2	49591	1	Plug	
3	49385	1	Bearing housing	
4	49658	1	Plug	
5	49588	1	Bearing	
6	30799	1	Shaft	
7	49602	1	Key	
8	49575	3	Plug	
9	30797	1	Ring	
10	49596	4	O-ring	
11	49599	8	Bolt	
12	49604	1	Grease fitting	
13	49598	1	Bell housing adapter	
14	49600	1	Retaining ring	
15	49597	1	O-ring	
16	49589	1	Bearing	
17	30800	1	Plug	
18	41870	1	Plug	
19	49603	1	Plug	
--	49385	1	Assembly, bearing frame	Items 1 - 19

PRIMING CHAMBER ASSEMBLY



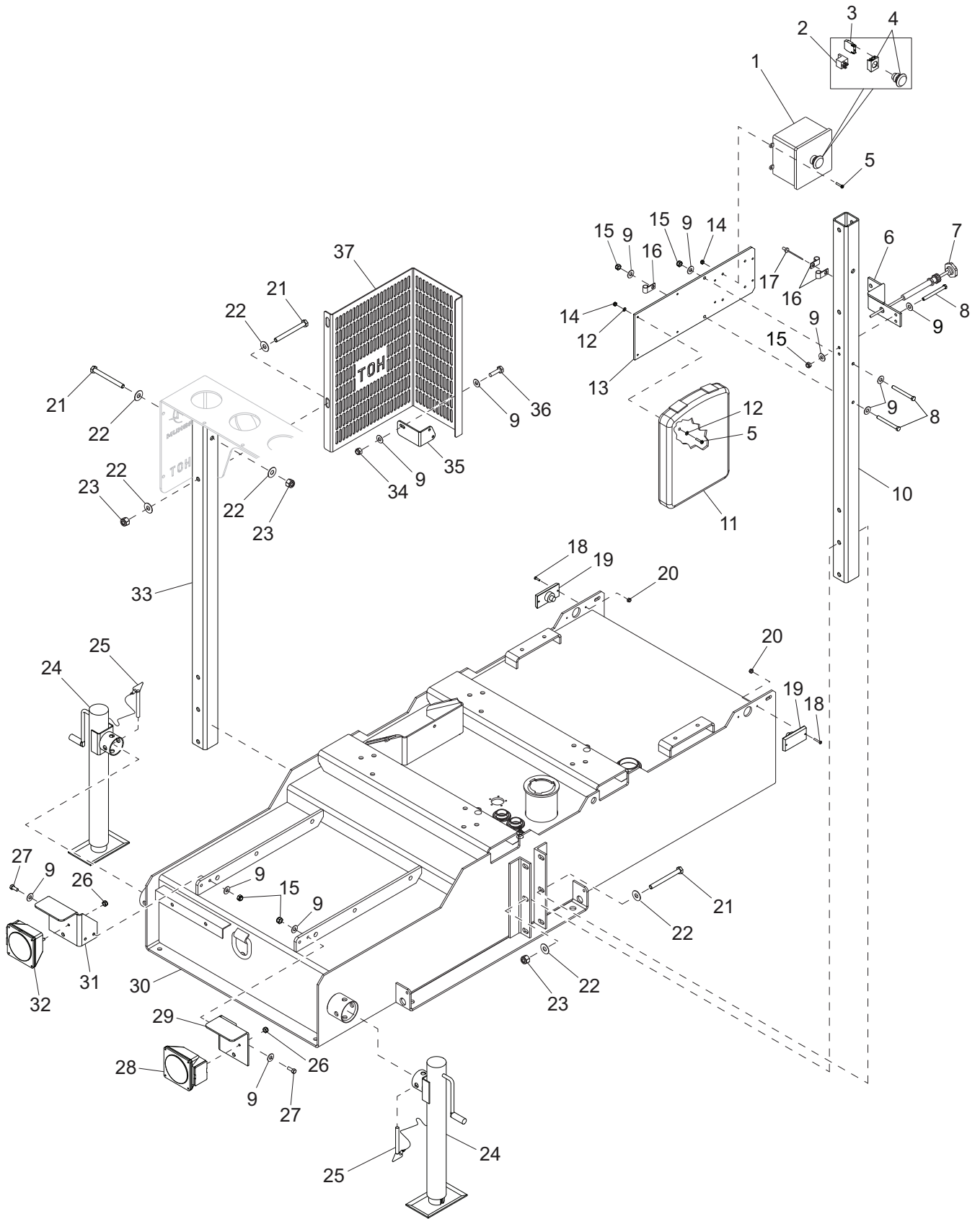
ITEM	PART NO.	QTY	DESCRIPTION	NOTES
1	49643	1	Elbow, 90° - 2 in. x 1/2 in. NPT	
2	49644	1	Nipple 1/2 in. NPT x close	
3	49645	1	Nipple 2.0 in. NPT x close	
4	46946	1	Valve 1/2 in. bronze ball	
5	49647	2	Washer, split lock .25 304SS	
6	49648	2	Nut, hvy machine .25-20 304SS	
7	49649	1	Valve washer	
8	49650	1	Spring, 2 in. long x 1.46 OD	
9	49651	1	Valve stem 304SS	
10	49652	1	O-ring, 2-310 Viton	
11	49653	2	Bolt, soc hd .38-16UNCx1.5 304SS	
12	49654	1	Valve seat	
13	49655	1	O-ring, 2-228 Viton	
14	49656	1	Valve adapter	
15	49561	6	Bolt, .50-13UNCx1.25, G5	
16	49657	6	Washer, split lock .50 STLPL	
17	49420	1	Gauge, vacuum	
18	19401	1	Fitting, strt - .500MNPTx.250FNPT	
19	49659	1	Lid, priming chamber	
20	49660	1	Gasket, priming chamber lid	
21	49661	1	Bracket, linkage 304SS	
22	49662	2	Bolt, .38-16UNCx.63 304SS	
23	49663	1	Linkage, upper arm	
24	49664	1	Washer, fender .25x1.25OD 304S	
25	49666	2	Link, upper and lower arm	
26	49665	1	Float ball and arm	
27	49667	5	Clevis pin, .187 dia. x 1.0 304SS	
28	49668	5	Cotter pin, .094 dia. x .50 304SS	
29	49670	1	Strainer plate	
30	49669	2	Bolt, .31-18UNC x .75	
31	49671	2	Washer, split lock .31 304SS	
32	49672	1	Priming chamber	
33	49658	1	NPT pipe plug, square head, 1/2 in	
--	49399	1	Priming chamber assembly	

INTERNAL PUMP ASSEMBLY



ITEM	PART NO.	QTY	DESCRIPTION	NOTES
1	49837	1	Priming chamber assembly	See breakdown on Page 32
2	49570	20	Bolt .38-16UNCx1.00	
3	49404	1	Cover, suction	
4	49403	1	Wear ring - 6.00 in	
5	43672	2	O-ring, inspection cover 30103273	
6	49658	5	Plug, NPT pipe - square head, .5 in	
7	49405B	1	Volute - 110042628	
8	41061	2	Gasket - 31813102	
9	49409	1	Check valve, 6 in	
9A	49844	1	Flap valve, 6 in	
9B	49853	1	O-ring, 6 in	
10	63117	1	Fitting, strt - 1.00 MNPTx.375 FNPT	
11	30801	6	Bolt .75-10UNCx3.25	
12	23069	1	Fitting, 90° - .375 MNPT brs	
13	19280	1	Valve, ball .375 FNPT	
14	25931	1	Fitting, strt - .375 NPTx.625 barb	
15	49407	1	Cover, clean-out	
16	49381	1	O-ring	
17	49566	2	Bolt, .50-13UNCx1.00	
18	30802	16	Nut, hvy hex .62-11UNC stl pl	
19	49838	1	Spool, 6 in. w/2 in. flange	
20	49840	4	Bolt, .62-11UNCx1.50, G5I	
21	49839	1	Gasket flg, 2.0 in. - .12 FF SBR 70d	
22	49842	1	Screw, impeller - .75-10UNC 2.25 316	
23	49400	1	Washer, impeller	
24	49788	1	Impeller	
25	49561	4	Bolt .50-13UNCx1.25, G5	
26	49408	1	Brac-plate	
27	49383	1	O-ring	
28	49382	1	Spring guide	
29	49384	1	Mechanical seal	
30	49387	1	Seal gland	
31	49562	1	Fitting .25MPTx.25 hose barb	
32	49563	1	Pipe bushing, .5x.25	
33	49386	1	Lip seal	
34	49598	1	Bell housing adapter	
35	49385	1	Bearing housing	
36	30805	1	Key	
37	49579	1	Valve, .25 in. petcock	
38	49577	1	Nipple, .25NPTx 3.0	
39	49578	1	Elbow, 45° - .25NPT	
40	49575	1	Plug, NPT pipe - square head, .25 in	
--	49388	*	Impeller shim	As required, not shown
--	49389	*	Impeller shim	As required, not shown
--	49390	*	Impeller shim	As required, not shown

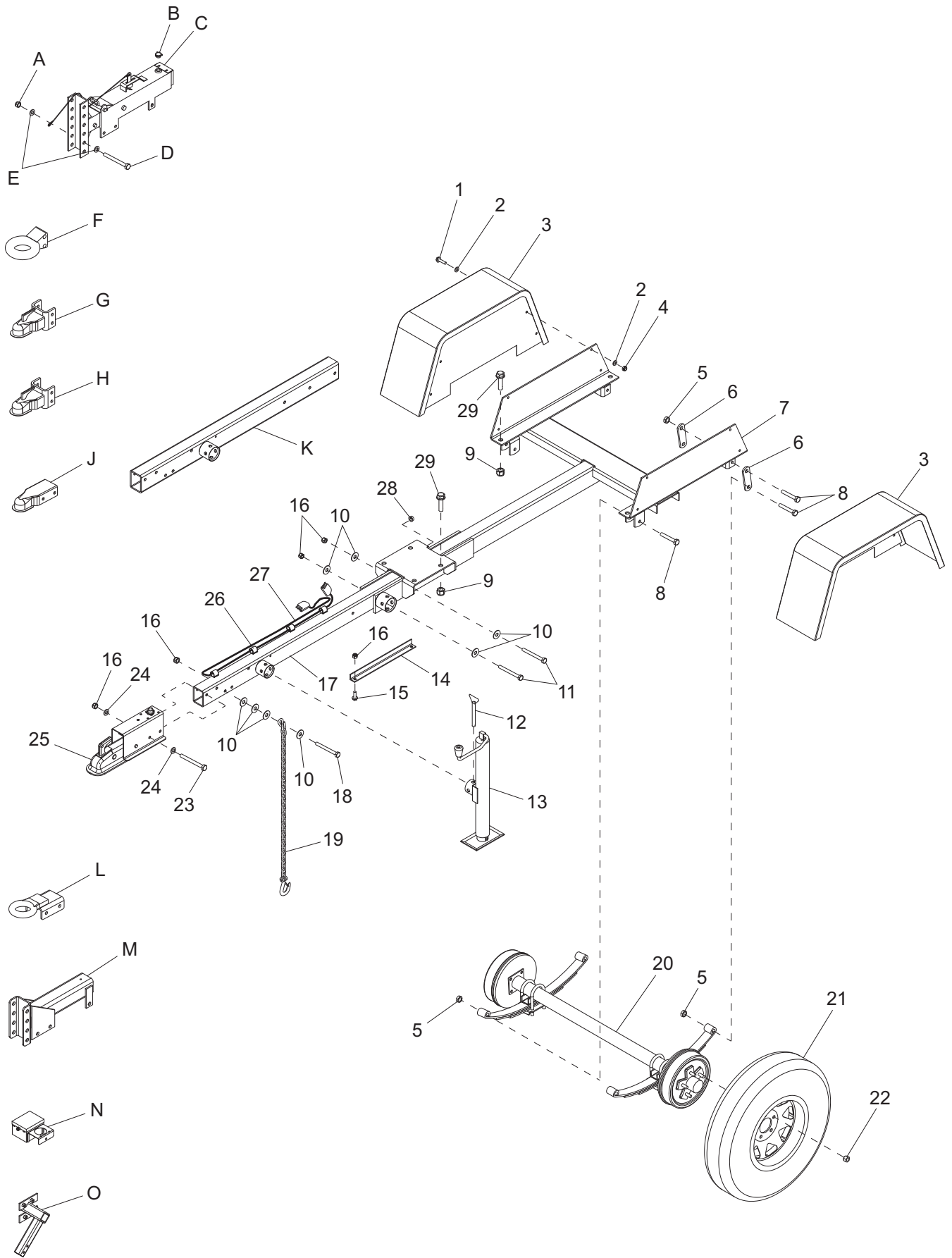
SKID ASSEMBLY



ITEM	PART NO.	QTY	DESCRIPTION	NOTES
1	33122	1	Assembly, E-stop box - Kubota	
2	66455	1	Relay, 12V/70A NC/80A NO w/diode	
3	65584	1	Block, E-stop contactor NO/NO	
4	65470	1	Switch, E-stop operator	
5	60062	8	Screw, 10-32x.750 pan phil, G2	
6	32030B	1	Weldment, throttle cable	
7	41165	1	Cable, push/pull throttle	
8	60860	4	Screw, .312-18x3.50 std hex, G5	
9	60119	18	Washer, .312 flat .875/.070	
10	41108B	1	Tube, lift support	
11	24540	1	Holder, manual	
12	60237	8	Washer, #10 flat .495/.036	
13	32220B	1	Bracket, manual box/E-stop	
14	60061	8	Nut, 10-32 nylock	
15	60303	8	Nut, .312-18 nylock, G2	
16	15627	3	Clamp, tubing - heavy duty	
17	60195	2	Rivet, .188 dia. x .375 to .500 grip	
18	60406	4	Screw, 8-32x1.0 pan phil, G2	
19	66373	2	Lens, clearance marker light - amber	
--	65661	2	Bulb - light, clearance marker	Not shown
20	60270	4	Nut, 8-32 nylock, class 6	
21	50215	12	Screw, .500-13x4.0 std hex, G5	
22	60309	24	Washer, .500 flat 1.060/.090	
23	62221	12	Nut, .500-13 nylock, G5	
24	41133	2	Jack, side wind - tube-mounted	
25	23256	2	Pin, jack - tube-mounted	
26	60144	4	Nut, .250-20 nylock, G5	
27	60028	4	Screw, .312-18x1.0 std hex, G5	
28	65448	1	Light, stop/turn/tail - RH	
29	41102B	1	Bracket, tail light mounting - RH	
30	41278B	1	Weldment, fuel tank/chassis	
31	41101B	1	Bracket, tail light mounting - LH	
32	65449	1	Light, stop/turn/tail - LH	
33	41301B	1	Tube, lift support	
34	60358	1	Nut, .375-16 nylock, G5	
35	30950B	1	Bracket, heat shield	
36	60205	1	Screw, .375-16x1.0 std hex, G5	
37	30946B	1	Plate, heat shield	
--	49628	2	Light, clearance marker - amber LED	Option: trailer light options
--	49627	1	Light, stop/turn/tail - w/LP - LH LED	Option: trailer light options
--	65449	1	Light, stop/turn/tail - RH LED	Option:

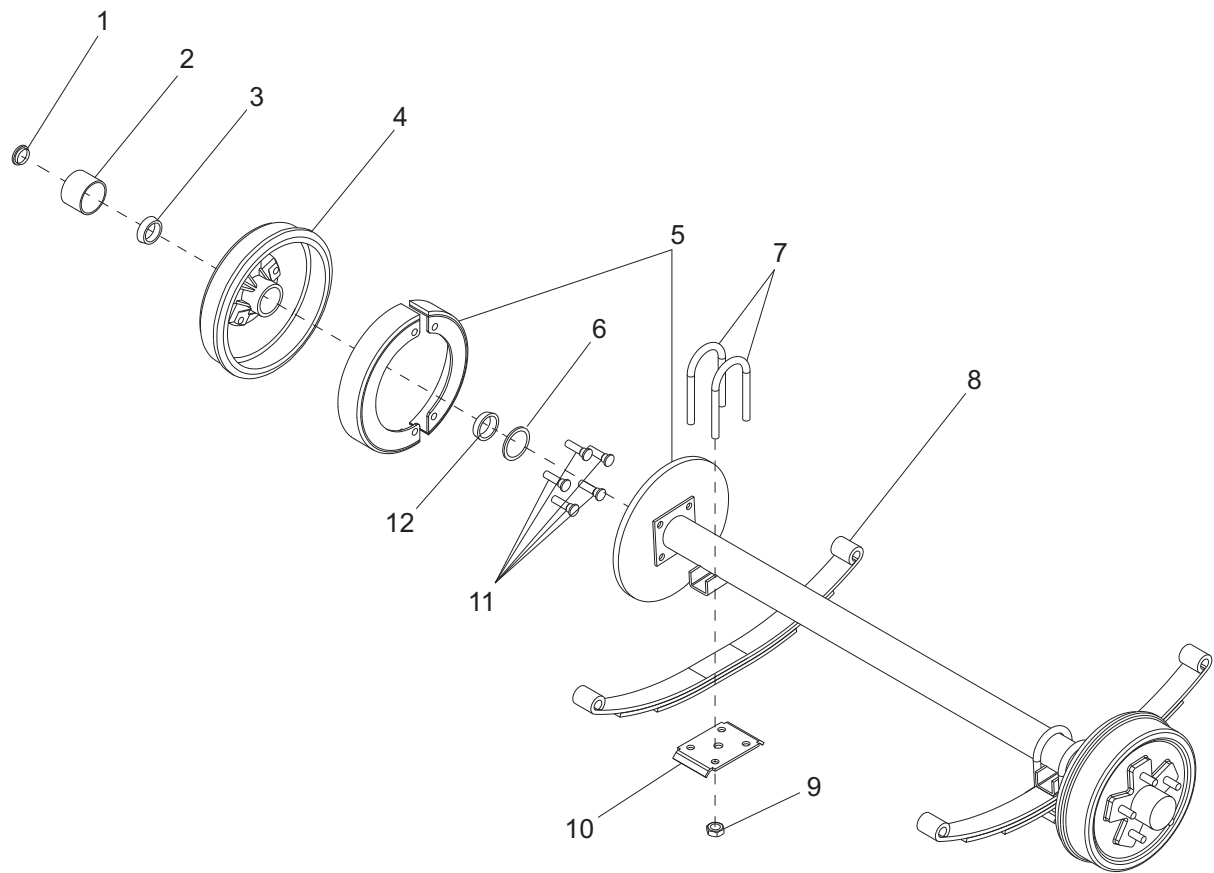
ITEM	PART NO.	QTY	DESCRIPTION	NOTES
1	63192	2	Clamp, crimping band - .464 in	
2	41211	3 ft	Hose, fuel - .188 ID, 50 psi, SAE 30R7	
3	50343	3.16 ft	Hose, fuel - .312 IDx.562 OD, 60 psi	Clear vinyl
4	17896	1	Fitting, strt - .250NPTx.188 barb	
5	60777	3	Clamp, hose - .312 fuel hose	Crimp style
6	60999	1	Fitting, strt - .500MNPTx.312 barb, brs	
7	23707	1	Cap, fuel fill - 3.50 in	
8	21129	1	Gauge, fuel - mechanical, 11 in	
9	60498	1	Fitting, plug, .750NPT square drive	
10	50018	2.33ft	Hose, fuel - .312 ID, 50 psi, SAE 30R7	
11	15693	1	Fitting, 90° - .250NPTx.312 barb, brs	
12	60988	2	Fitting, plug - 1.0 NPT square drive	Supplied with tank
13	61147	2	Nut, .312-18 U-clip, G5	
14	41278B	1	Weldment, fuel tank/chassis	
15	49762B	1	Cover, fuel sender cutout	Supplied with tank
16	60156	5	Screw, M5-0.80x16 pan phil, G4.8	Supplied with tank
A	65804	1	Switch, float - 12.50 NO	Option: fuel transfer pump

TRAILER ASSEMBLY



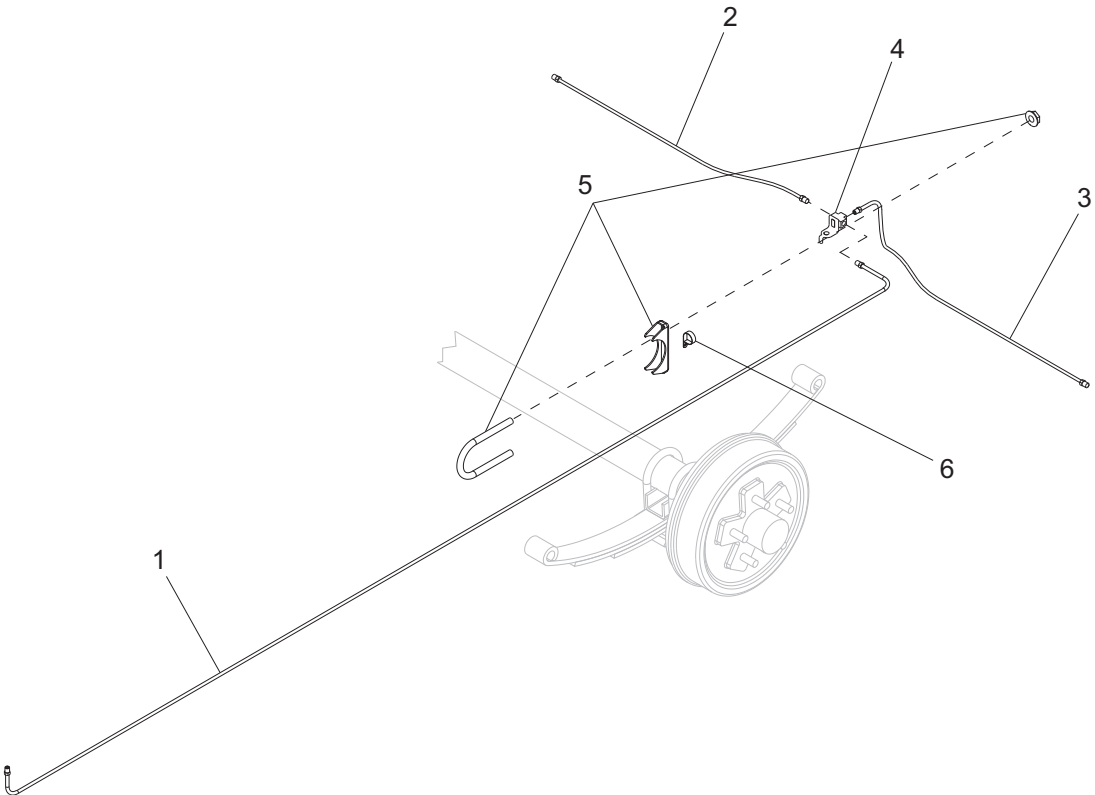
ITEM	PART NO.	QTY	DESCRIPTION	NOTES
1	61036	8	Screw, .375-16x1.250 std hex, SS	
2	60698	16	Washer, .375 flat .875/.040, SS	
3	22743B	2	Fender, single wheel	
4	60358	8	Nut, .375-16 nylock, G5	
5	60504	6	Nut, .562-18 locking hex, G5	
6	19637	4	Plate, shackle bracket	
7	24811B	1	Weldment, trailer chassis	
8	60503	6	Screw, shackle .562-18x3.0 std hex, G5	
9	15293	6	Nut, .750-10 hex, G5	
10	60416	14	Washer, .500 flat 1.375/.090	
11	61104	3	Screw, .500-13x5.500 std hex, G8	
12	23256	1	Pin, jack - tube mounted	
13	13051	1	Jack assembly, 2000 lb - top wind	Tube mounted
14	24691B	1	Brace, tongue shipping	
15	61103	1	Screw, .500-13x1.750 sflg hex	
16	62221	5	Nut, .500-13 nylock, G5	
17	24812B	1	Weldment, tongue - flip non-adj actuator	
18	60376	2	Screw, .500-13x4.500 std hex, G5	
19	23367	2	Chain, safety	
20	22877	1	Axle, 5000 lb - hydraulic	
	22876	1	Axle, 5000 lb - electric	Option: electric brake
21	18377	2	Wheel, ST225/75R15	
22	60096	12	Nut, .500-20 wheel lug	
23	61099	2	Screw, .500-13x5.00 std hex, G8	
24	60309	4	Washer, .500 flat 1.060/.090	
25	24304	1	Actuator, 2 in. ball, 6000 lb	Hydraulic surge brake
26	15626	6	Clamp, tubing - .375 lt duty	
--	61010	1	Clamp, tubing - .375 hvy duty	Not shown
27	23390	1	Harness, trailer	
28	22340	2	Bushing, 1.0 ODx.750 ID	
29	61078	6	Screw, .625-11x2.0 flg hex, G8	
A	60240	2	Nut, .625-11 nylock	Option: adjustable hitch
B	30248	1	Cap, actuator, sealed	Option: adjustable hitch
C	40529	1	Actuator, hyd surge brk - adj.	Option: adjustable hitch
D	60239	2	Screw, .625-11x5.0 std hex, G5	Option: adjustable hitch
E	60180	4	Washer, .625 flat 1.750/.120	Option: adjustable hitch
F	19335B	1	Coupler, lunette ring - 3 in. adj.	Option: 3 in. ring adj. hitch
G	19519	1	Coupler, 2.31 in. ball	Option: 2.31 in. ball
H	19518	1	Coupler, 2 in. ball for adj. hitch	Option: 2 in. ball adjustable hitch
J	15103	1	Coupler, 2 in. ball/3 in. channel	Option: 2 in. ball hitch
K	11032	1	Weldment, lunette ring - 3 in	Option: 3 in. ring
L	19379B	1	Weldment, hitch elec. - 4 pos adj.	Option: electric brake
M	19417	1	Breakaway kit	Option: electric brake
N	12235B	1	Weldment, spare tire holder	Option: spare tire holder
O	30931	1	Weldment, tongue - w/support plate	Option: adj. actuator/elec brakes

AXLE ASSEMBLY



ITEM	PART NO.	QTY	DESCRIPTION	NOTES
1	11254	2	Plug, grease cap - for zerk	
2	23170	2	Cap, grease - 5000 lb	
3	24831	2	Roller bearing - outer	
4	26452	2	Brake drum - 12 in. 6 on 5.5 in	
5	26572	2	Surge brake assembly, RH	
	26571	2	Surge brake assembly, LH	
	26574	2	Electric brake assembly, RH	Option: electric brake
	26573	2	Electric brake assembly, LH	Option: electric brake
6	24832	2	Bearing seal axle	
7	40875	4	U-bolt, axle	
8	23912	2	Spring, 5000 lb axle	
9	26441	8	U-bolt nut, 1/2-20 plated	
10	40874	2	Tie plate, axle	
11	60963	12	Stud, wheel - axle	
12	24830	2	Roller bearing - inner	

TRAILER BRAKE LINES



ITEM	PART NO.	QTY	DESCRIPTION	NOTES
1	24688	1	Hose, brake - .188x136.00	Male/male
2	40495	1	Line, brake - .188x20.00	
3	40494	1	Line, brake - .188x30.00	
4	19252	1	Fitting, .188 brake line T - w/bracket	All female
5	61028	1	Clamp, muffler - 2.50 light duty	U-bolt and saddle
6	61010	1	Clamp, tubing - .375 heavy duty	

RECOMMENDED SPARE PARTS LIST

ENGINE

Alternator, engine	32743
Belt, compressor.....	31020
Belt, fan - Kubota V3600	32741
Cable, push/pull throttle	41165
Cap, fuel fill	23707
Cap, radiator.....	19219
Cap, overflow jug.....	19714
Compressor, air	49267
Dipstick, Kubota V3600	27472
Element, air filter.....	22874
Filter, fuel	32745
Filter, oil	32744
Flapper, check valve	49844
Gasket, compressor	49421
Gasket, thermostat housing - Kubota	33253
Gauge, fuel	21129
Hose, radiator - lower	30494
Hose, radiator - upper.....	30493
Impeller	29788
Jug, overflow - 3.5 qt	41958
Pump, fuel	13278
Sensor, coolant temp.....	32040
Sensor, low coolant	30942
Sensor, oil pressure	30242
Solenoid plug, shutdown	32788
Starter, engine - Kubota V3600.....	32742
Thermostat - Kubota V3600.....	28979

PUMP

Bushing.....	49685
Coupling, flywheel	41191
Coupling, rubber driver.....	41192
Lip seal	49386
Mechanical seal kit	49384

ELECTRICAL

Controller, LOFA 750	33705
Relay, 12V/70A	66455

TRAILER

Chain, safety.....	23367
Jack, side wind (rear)	41133
Jack, top wind (tongue)	13051
Light, clearance marker, bulb	65661
Light, clearance marker, lens - amber	66373
Light, stop/turn/tail - RH.....	65448
Light, stop/turn/tail - LH	65449

REV: ORG
PART NO: 32135
04.23.13